

Vehicle Observation System

4.3" Furrion Vision S™ Single Camera System with Marker Light



4.3" Monitor



Windshield Mount



Rear Camera with Marker Light

Main Features

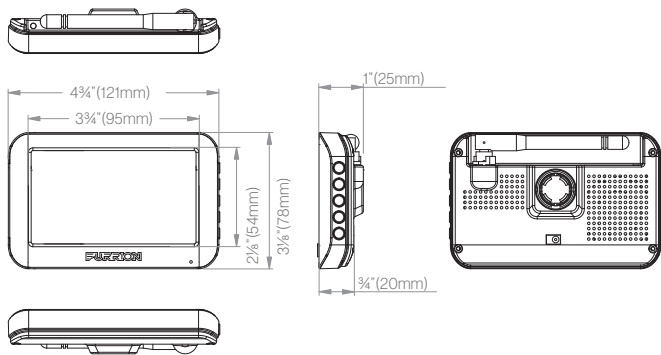
Monitor & Accessories

- DIGITAL WIRELESS
- ANTI-GLARE
- REAR ASSIST MARKER LINES
- SECURITY CAMERA AUTO-WAKE
- AUDIO
- WINDSHIELD MOUNT

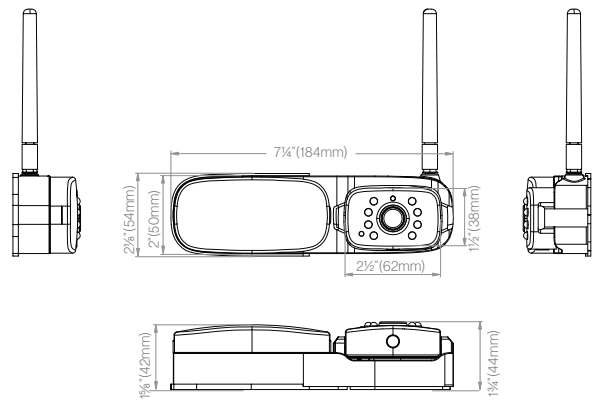
Rear Camera with Marker Light

- CMOS 120° VIEW ANGLE
- INFRARED NIGHT VISION
- CAMERA RESOLUTION
- INTELLIGENT IR CUT FILTER
- MOTION DETECT
- WATERPROOF
- BUILT IN MICROPHONE

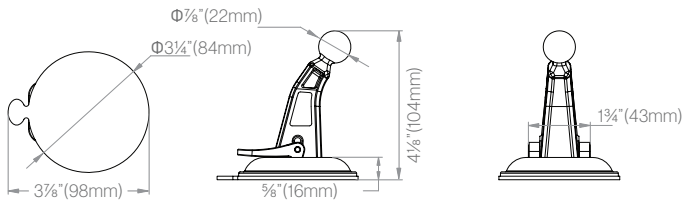
Monitor



Rear Camera with Marker Light



Windshield Mount



Part Number	Product
FOS43TASR	4.3" + +

Specifications

Camera

Night Vision Distance	<16ft (5m)
CMOS Size	1/3"
Optical Lens	Doorway/Rear: F2.0
IR Cut Filter	850nm Automatic
View Angle/Degree	120°
Working Current (IR ON)	<400mA@12V
Working Current (IR OFF)	<250mA@12V
Camera Pixel	720 x 480
Waterproof	IP65

Monitor

LCD Backlight ON	<500mA@12V
LCD Backlight OFF	<300mA@12V
LCD Size	4.3"
LCD Resolution at 1View	480 x 272
LCD Brightness	240 cd/m ²
LCD Contrast	900:1
LCD Viewing Angle	L/R75, U60, D70
LCD Aspect Ratio	16:9

Camera/Monitor

Supply Voltage	DC8 to 30V
Wireless Frequency	2.4GHz
Wireless Range	<150m (open area)
Emitting Power	18+/-2 dBm
Transmitting Speed	6 Mbps (single)
RF Modulation	OFDM
Receiving Sensitivity	-88 +/-3dBm
Decompression Form	H.264
Delaying Time	<250ms
Channel Bandwidth	20MHz
Type Approval	FCC Part 15

Dimensions/Weight

Individual Packaging Dimensions (W x H x D)	7 1/2 x 8 3/4 x 2 7/8" (191 x 223 x 72mm)
Net weight (lbs/kgs)	1.8/0.8
Gross weight (lbs/kgs)	2.2/1.0

Master Carton

Quantity per Master Carton	8
Master Carton Dimensions (W x H x D)	11 7/8 x 18 1/2 x 8 3/8" (302 x 460 x 214mm)
Master Carton Gross Weight (lbs/kg)	14.6/6.6

FOS43TASR-V1.6



Vehicle Observation System

5" Furrion Vision S™ Single Camera System with Marker Light



5" Monitor



Interior Table Stand



Windshield Mount



Rear Camera with Marker Light

Main Features

Monitor & Accessories



DIGITAL WIRELESS



TOUCH SCREEN



ANTI-GLARE



REAR ASSIST MARKER LINES



SECURITY CAMERA AUTO-WAKE



DISPLAY UP TO 4 CAMERAS



AUDIO



WINDSHIELD MOUNT



INTERIOR TABLE STAND



WALL MOUNT (SOLD SEPARATELY)

Rear Camera with Marker Light



CMOS 120° VIEW ANGLE



INFRARED NIGHT VISION



CAMERA RESOLUTION



INTELLIGENT IR CUT FILTER



MOTION DETECT

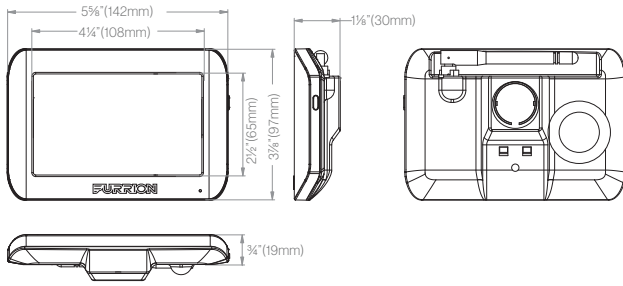


WATERPROOF

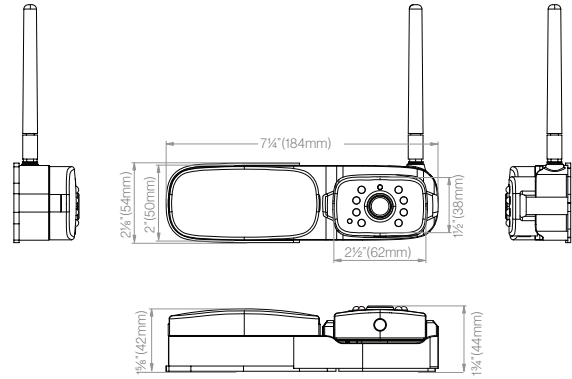


BUILT IN MICROPHONE

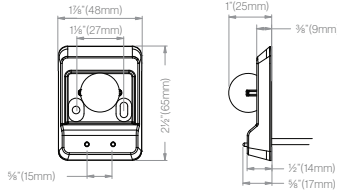
Monitor



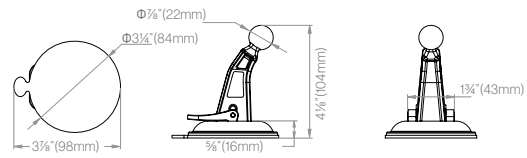
Rear Camera with Marker Light



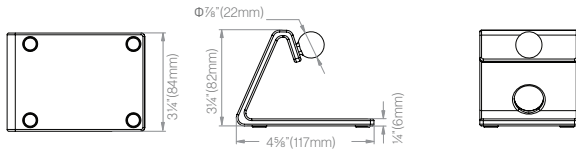
Interior Wall Mount (Sold Separately)



Windshield Mount



Interior Table Stand



Part Number	Product
FOS05TASR	

Specifications

Camera

Night Vision Distance	<16ft (5m)
CMOS Size	1/3"
Optical Lens	F2.0
IR Cut Filter	850nm Automatic
View Angle/Degree	120°
Working Current (IR ON)	<400mA@12V
Working Current (IR OFF)	<250mA@12V
Camera Pixel	720 x 480
Waterproof	IP65

Camera/Monitor

Supply Voltage	DC8 to 30V
Wireless Frequency	2.4GHz
Wireless Range	<492.13ft (150m) (open area)
Emitting Power	18+/-2 dBm
Transmitting Speed	6 Mbps (single)
RF Modulation	OFDM
Receiving Sensitivity	-88 +/--3dBm
Decompression Form	H.264
Delaying Time	<250ms
Type Approval	FCC Part 15

Monitor

LCD Backlight ON	<500mA@12V
LCD Backlight OFF	<300mA@12V
LCD Size	5"
LCD Resolution at 1View	720 x 480
LCD Brightness	420 cd/m²
LCD Contrast	600:1
LCD Viewing Angle	L/R65, U50, D60
LCD Aspect Ratio	16:9
Channel Bandwidth	20MHz

Dimensions/Weight

Individual Packaging Dimensions (W x H x D)	9 x 9 1/8 x 3 3/8"
	(230 x 233 x 98mm)
Net weight (lbs/kgs)	1.8/0.8
Gross weight (lbs/kgs)	2.7/1.2

Master Carton

Quantity per Master Carton	10
Master Carton Dimensions (W x H x D)	18 7/8 x 20 1/8 x 10 1/8"
	(478 x 510 x 258mm)
Master Carton Gross Weight (lbs/kg)	25.8/11.7

FOS05TASR-V1.5



Vehicle Observation System

7" Furrion Vision S™ Single Camera System with Marker Light



7" Monitor



Interior Table Stand



Windshield Mount



Rear Camera with Marker Light

Main Features

Monitor & Accessories



DIGITAL WIRELESS



TOUCH SCREEN



ANTI-GLARE



REAR ASSIST MARKER LINES



SECURITY CAMERA AUTO-WAKE



DISPLAY UP TO 4 CAMERAS



AUDIO



WINDSHIELD MOUNT



INTERIOR TABLE STAND



WALL MOUNT (SOLD SEPARATELY)

Rear Camera with Marker Light



CMOS 120° VIEW ANGLE



INFRARED NIGHT VISION



CAMERA RESOLUTION



INTELLIGENT IR CUT FILTER



MOTION DETECT

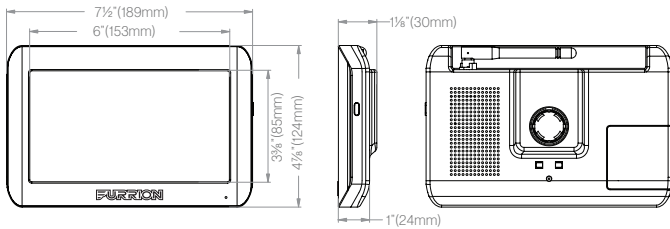


WATERPROOF

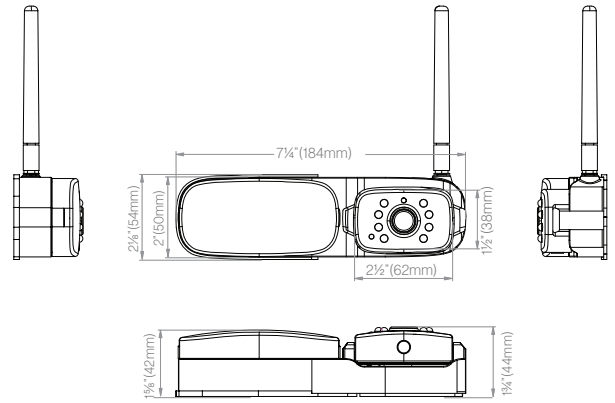


BUILT IN MICROPHONE

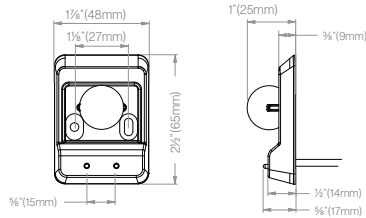
Monitor



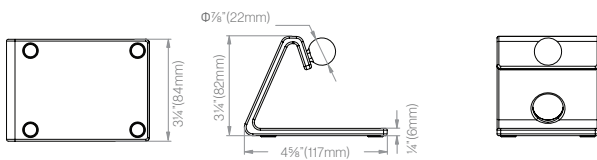
Rear Camera with Marker Light



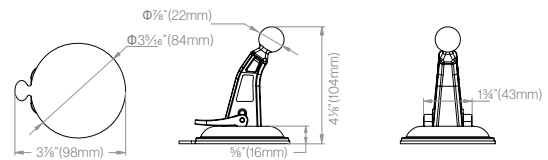
Interior Wall Mount (Sold Separately)



Interior Table Stand



Windshield Mount



Part Number	Product
FOS07TASR	

Specifications

Camera

Night Vision Distance	<16ft (5m)
CMOS Size	1/3"
Optical Lens	F2.0
IR Cut Filter	850nm Automatic
View Angle/Degree	120°
Working Current (IR ON)	<400mA@12V
Working Current (IR OFF)	<250mA@12V
Camera Pixel	720 x 480
Waterproof	IP65

Monitor

LCD Backlight ON	<500mA@12V
LCD Backlight OFF	<300mA@12V
LCD Size	7"
LCD Resolution at 1View	720 x 480
LCD Brightness	170 cd/m ²
LCD Contrast	300:1
LCD Viewing Angle	L/R80, U60, D70
LCD Aspect Ratio	16:9
Channel Bandwidth	20MHz

Camera/Monitor

Supply Voltage	DC8 to 30V
Wireless Frequency	2.4GHz
Wireless Range	<492.13ft (150m) (open area)
Emitting Power	18+/-2 dBm
Transmitting Speed	6 Mbps (single)
RF Modulation	OFDM
Receiving Sensitivity	-88 +/-3dBm
Decompression Form	H.264
Delaying Time	<250ms
Type Approval	FCC Part 15

Dimensions/Weight

Individual Packaging Dimensions (W x H x D)	9 5/8 x 9 3/4 x 3 3/4" (243 x 248 x 96mm)
Net weight (lbs/kgs)	2.2/1.0
Gross weight (lbs/kgs)	3.1/1.4

Master Carton

Quantity per Master Carton	4
Master Carton Dimensions (W x H x D)	10 3/8 x 20 x 8 3/8" (265 x 507 x 214mm)
Master Carton Gross Weight (lbs/kg)	12.1/5.5

FOS07TASR-V1.6

