

# FURRION VISION S

VEHICLE OBERVATION SYSTEM  
VISION S 7" 4-CAMERA SYSTEM  
WITH MARKER LIGHT

FOS07TAPT



7" MONITOR



INTERIOR TABLE STAND



WINDSHIELD MOUNT



SIDE CAMERA WITH WITH MARKER LIGHTS

DOORWAY SECURITY /REAR CAMERA

REAR MARKER LIGHT WITH CAMERA

## MONITOR & ACCESSORIES



2.4GHZ  
DIGITAL WIRELESS



TOUCH SCREEN



ANTI-GLARE



REAR ASSIST MARKER LINES



SECURITY CAMERA AUTO-WAKE



DISPLAY UP TO 4 CAMERAS\*



AUDIO



WINDSHIELD MOUNT



INTERIOR TABLE STAND



INTERIOR WALL MOUNT (sold separately)

## DOORWAY SECURITY/REAR CAMERA & REAR MARKER LIGHT WITH CAMERA



CMOS 120° VIEW ANGLE



INFRARED NIGHT VISION



CAMERA RESOLUTION



INTELLIGENT IR CUT FILTER



MOTION DETECT



WATERPROOF

## SIDE CAMERA WITH MARKER LIGHTS



CMOS 65° VIEW ANGLE



INFRARED NIGHT VISION



CAMERA RESOLUTION



INTELLIGENT IR CUT FILTER



MOTION DETECT



WATERPROOF



BLIND SPOT TURN SIGNAL



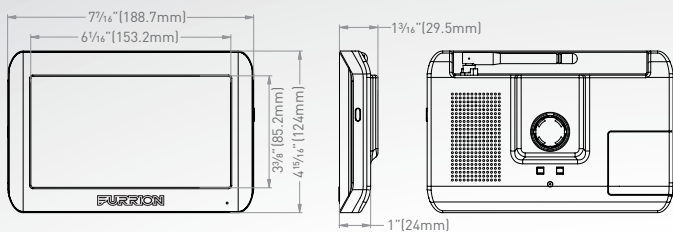
OPTIONAL BUILT IN RUNNING LIGHT

\* Additional feature when paired with multiple cameras (sold separately)

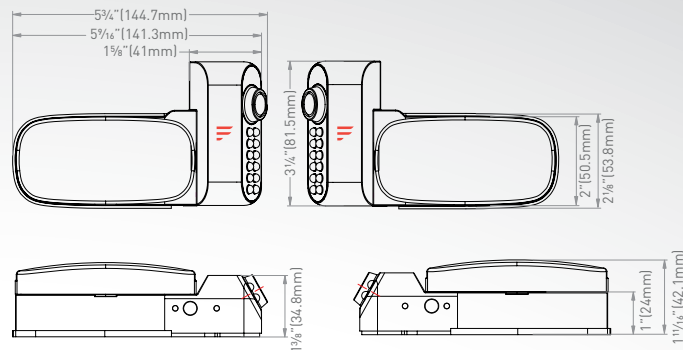


# FOS07TAPT | VISION S 4-CAMERA SYSTEM WITH MARKER LIGHT

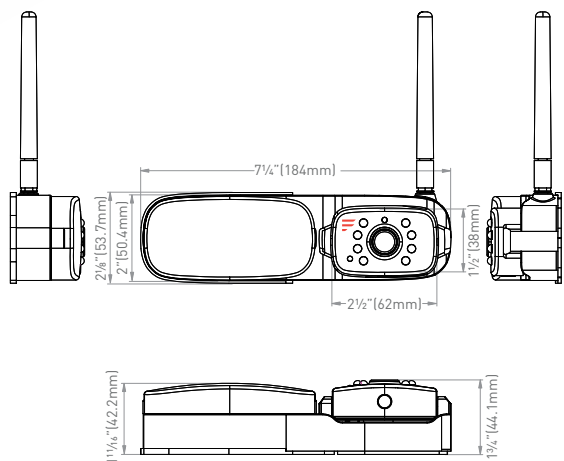
## Monitor



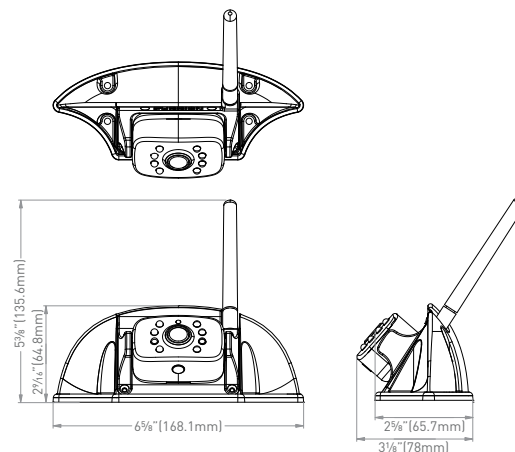
## Side Camera with Marker Light



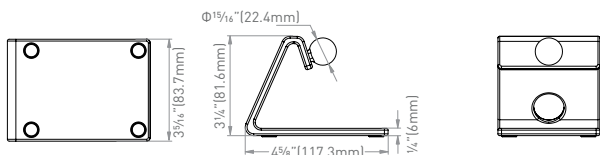
## Rear Marker Light With Camera



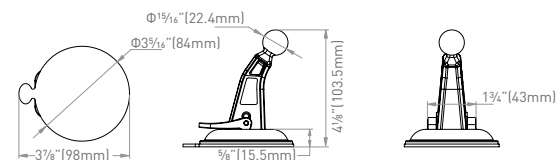
## Doorway Security / Rear Camera



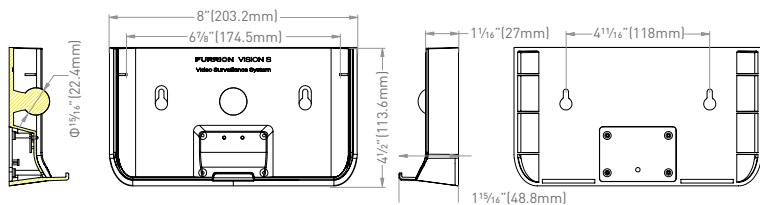
## Interior Table Stand



## Windshield Mount



## Interior Wall Mount (Sold Separately)





# FOS07TAPT | VISION S 4-CAMERA SYSTEM WITH MARKER LIGHT

Part Number	Product
FOS07TAPT	

## Specifications

<b>Camera</b>		LCD Size	7"
Night Vision Distance	Doorway/Rear: <5m Side: <12m	LCD Resolution at 1View	720 x 480
CMOS Size	1/3"	LCD Brightness	180 cd/m2
Optical Lens	Doorway/Rear: F2.0 Side: F2.5	LCD Contrast	350:1
IR Cut Filter	850nm Automatic	LCD Viewing Angle	L/R80, U60, L70
View Angle/Degree	Doorway/Rear: 120° Side: 65°	LCD Aspect Ratio	16:9
Working Current (IR ON)	Doorway/Rear: <400mA@12V Side: <500mA@12V	Channel Bandwidth	20MHz
Working Current (IR OFF)	<250mA@12V	<b>Camera/Monitor</b>	
Camera Pixel	720 x 480	Supply Voltage	DC8 to 30V
Waterproof	IP65	Wireless Frequency	2.4GHz
<b>Monitor</b>		Wireless Range	<492.13ft (150m) (open area)
LCD Power Off	<30mA@12V	Emitting Power	18+/-2 dBm
LCD Backlight ON	<500mA@12V	Transmitting Speed	6 Mbps (single)
LCD Backlight OFF	<300mA@12V	RF Modulation	OFDM
		Receiving Sensitivity	-88 +/--3dBm
		Decompression Form	H.264
		Delaying Time	<250ms
		Type Approval	FCC Part 15