

# Vehicle Observation System

## 4.3" Furrion Vision S™ Single Camera System



4.3" Monitor



Windshield Mount



Doorway Security / Rear Camera

### Main Features

#### Monitor & Accessories



DIGITAL WIRELESS



ANTI-GLARE



REAR ASSIST MARKER LINES



SECURITY CAMERA AUTO-WAKE



AUDIO



WINDSHIELD MOUNT

#### Doorway Security / Rear Camera



CMOS 120° VIEW ANGLE



INFRARED NIGHT VISION



CAMERA RESOLUTION



INTELLIGENT IR CUT FILTER



MOTION DETECT

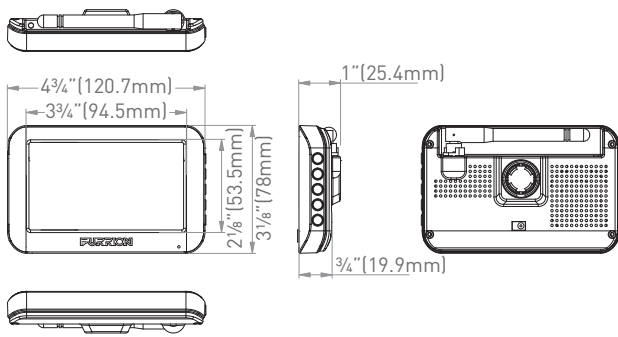


WATERPROOF

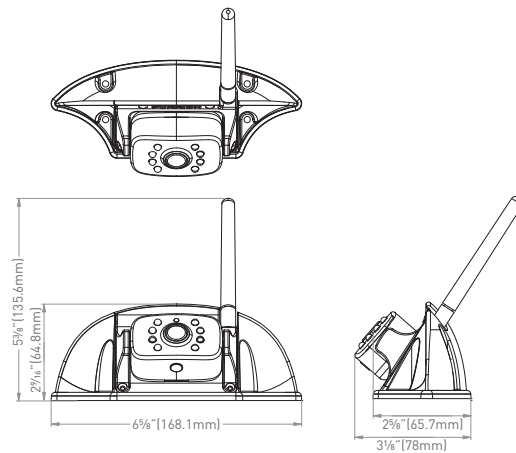


BUILT IN MICROPHONE

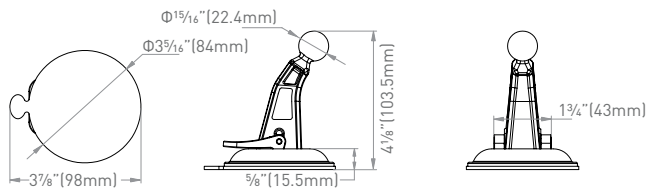
## Monitor



## Doorway Security / Rear Camera



## Windshield Mount



Part Number	Product
FOS43TASF	4.3" +  +

## Specifications

### Camera

Night Vision Distance	<16ft (5m)
CMOS Size	1/3"
Optical Lens	Doorway/Rear: F2.0
IR Cut Filter	850nm Automatic
View Angle/Degree	120°
Working Current (IR ON)	<400mA@12V
Working Current (IR OFF)	<250mA@12V
Camera Pixel	720 x 480
Waterproof	IP65

### Monitor

LCD Backlight ON	<500mA@12V
LCD Backlight OFF	<300mA@12V
LCD Size	4.3"
LCD Resolution at 1View	480 x 272
LCD Brightness	240 cd/m <sup>2</sup>
LCD Contrast	900:1
LCD Viewing Angle	L/R75, U60, D70
LCD Aspect Ratio	16:9

### Camera/Monitor

Supply Voltage	DC8 to 30V
Wireless Frequency	2.4GHz
Wireless Range	<492.13ft (150m) (open area)
Emitting Power	18+/-2 dBm
Transmitting Speed	6 Mbps (single)
RF Modulation	OFDM
Receiving Sensitivity	-88 +/-3dBm
Decompression Form	H.264
Delaying Time	<250ms
Channel Bandwidth	20MHz
Type Approval	FCC Part 15

### Dimensions/Weight

Individual Packaging Dimensions (W x H x D)	7.48 x 8.78 x 2.83" (190 x 223 x 72mm)
Net weight (lbs/kgs)	1.2/0.5
Gross weight (lbs/kgs)	1.7/0.8

### Master Carton

Quantity per Master Carton	8
Master Carton Dimensions (W x H x D)	12 x 18.11 x 8.27" (305 x 460 x 210mm)
Master Carton Gross Weight (lbs/kg)	13.7/6.2

FOS43TASF-V1.5

