

FURRION VISION S

VEHICLE OBSERVATION SYSTEM
VISION S 4.3" SINGLE CAMERA SYSTEM

FOS43TASF



DOORWAY SECURITY
/REAR CAMERA



4.3" MONITOR



WINDSHIELD MOUNT

MONITOR & ACCESSORIES



2.4GHZ
DIGITAL
WIRELESS



ANTI-GLARE



REAR ASSIST
MARKER LINES



SECURITY CAMERA
AUTO-WAKE



AUDIO



WINDSHIELD
MOUNT

DOORWAY SECURITY/REAR CAMERA



120°
CMOS 120°
VIEW ANGLE



INFRARED
NIGHT VISION

720x480

CAMERA
RESOLUTION



INTELLIGENT
IR CUT FILTER



MOTION
DETECT

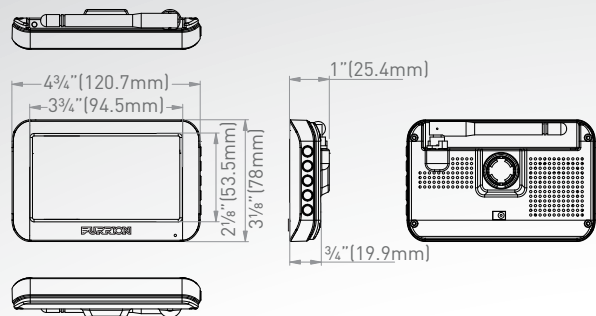


IP65
WATERPROOF

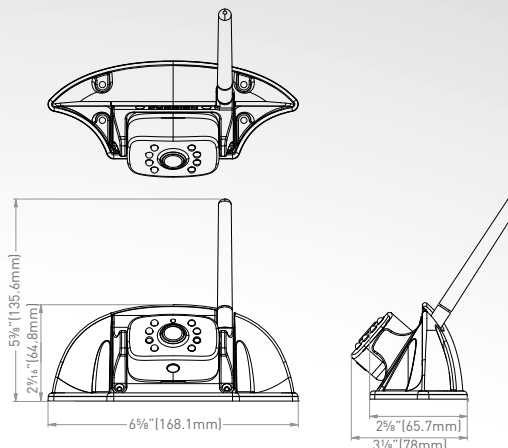


FOS43TASF | VISION S 4.3" SINGLE CAMERA SYSTEM

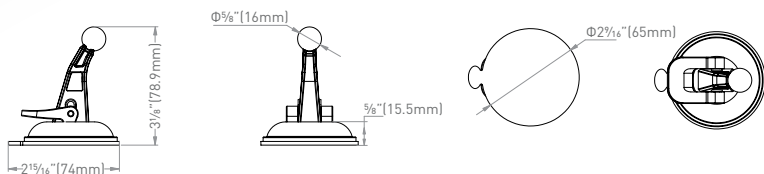
Monitor



Doorway Security / Rear Camera



Windshield Mount



Part Number	Product
FOS43TASF	

Specifications

Camera	
Night Vision Distance	<5m
CMOS Size	1/3"
Optical Lens	Doorway/Rear: F2.0
IR Cut Filter	850nm Automatic
View Angle/Degree	120°
Working Current (IR ON)	<400mA@12V
Working Current (IR OFF)	<250mA@12V
Camera Pixel	720 x 480
Waterproof	IP65

Monitor	
LCD Backlight ON	<500mA@12V
LCD Backlight OFF	<300mA@12V
LCD Size	4.3"
LCD Resolution at 1View	480 x 272
LCD Brightness	270 cd/m2
LCD Contrast	1000:1
LCD Viewing Angle	L/R75, U60, D70
LCD Aspect Ratio	16:9

Camera/Monitor	
Supply Voltage	DC8 to 30V
Wireless Frequency	2.4GHz
Wireless Range	<492.13ft (150m) (open area)
Wireless Range	18+/-2 dBm
Emitting Power	6 Mbps (single)
Transmitting Speed	OFDM
RF Modulation	-88 +/-3dBm
Receiving Sensitivity	H.264
Decompression Form	<250ms
Delaying Time	20MHz
Channel Bandwidth	FCC Part 15
Type Approval	