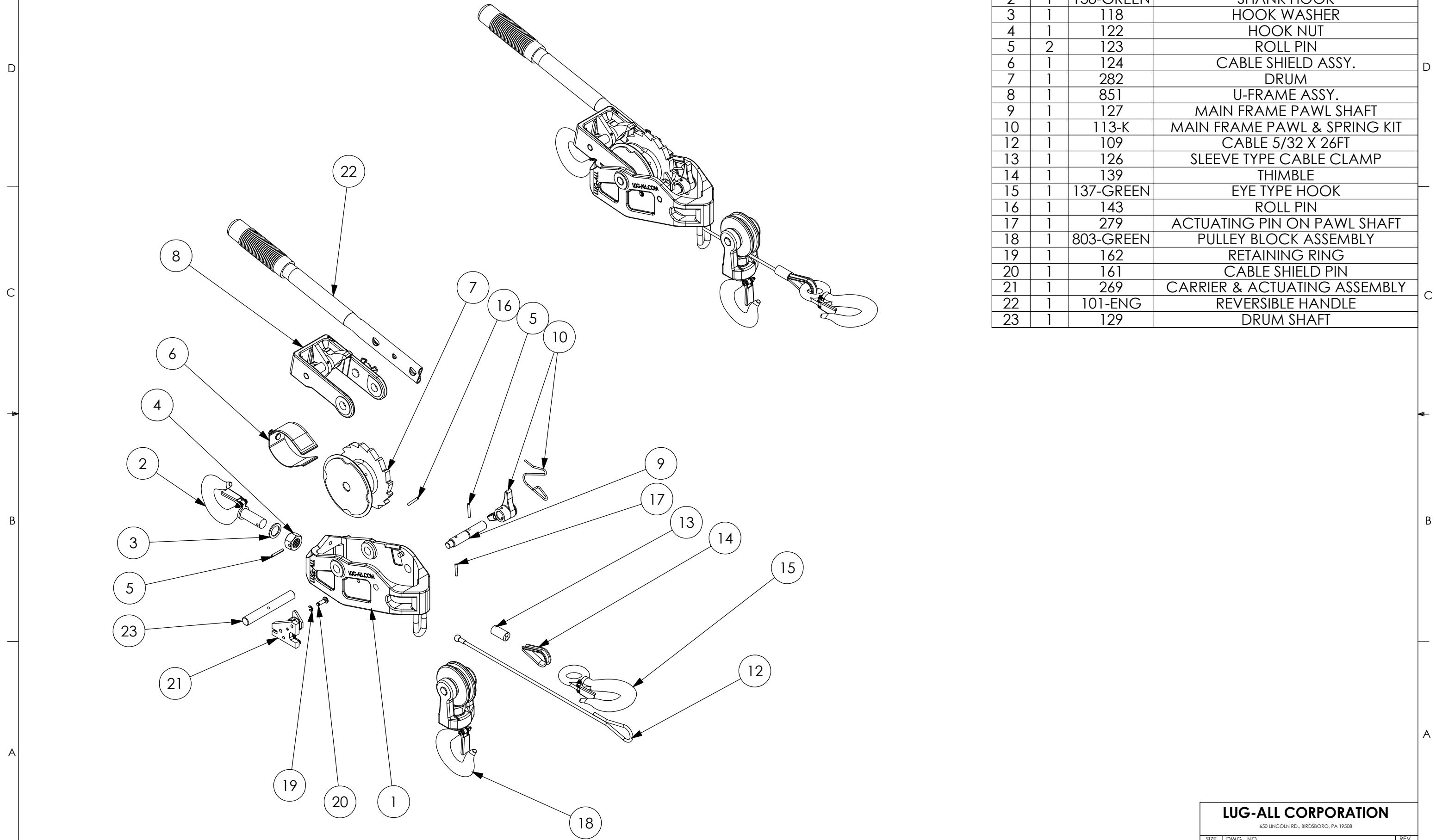


THE INFORMATION CONTAINED IN THIS DRAWING IS THE SOLE PROPERTY OF LUG-ALL CORPORATION. ANY REPRODUCTION IN PART OR AS A WHOLE WITHOUT THE WRITTEN PERMISSION OF LUG-ALL CORPORATION IS PROHIBITED.

ITEM	QTY.	PART NO.	DESCRIPTION
1	1	290-R	MAIN FRAME
2	1	138-GREEN	SHANK HOOK
3	1	118	HOOK WASHER
4	1	122	HOOK NUT
5	2	123	ROLL PIN
6	1	124	CABLE SHIELD ASSY.
7	1	282	DRUM
8	1	851	U-FRAME ASSY.
9	1	127	MAIN FRAME PAWL SHAFT
10	1	113-K	MAIN FRAME PAWL & SPRING KIT
12	1	109	CABLE 5/32 X 26FT
13	1	126	SLEEVE TYPE CABLE CLAMP
14	1	139	THIMBLE
15	1	137-GREEN	EYE TYPE HOOK
16	1	143	ROLL PIN
17	1	279	ACTUATING PIN ON PAWL SHAFT
18	1	803-GREEN	PULLEY BLOCK ASSEMBLY
19	1	162	RETAINING RING
20	1	161	CABLE SHIELD PIN
21	1	269	CARRIER & ACTUATING ASSEMBLY
22	1	101-ENG	REVERSIBLE HANDLE
23	1	129	DRUM SHAFT



**LUG-ALL CORPORATION**  
650 LINCOLN RD., BIRDSBORO, PA 19508

SIZE <b>B</b>	DWG. NO. <b>125-R</b>	REV. <b>B</b>
CAD FILE: 125-R		SHEET 1 OF 1