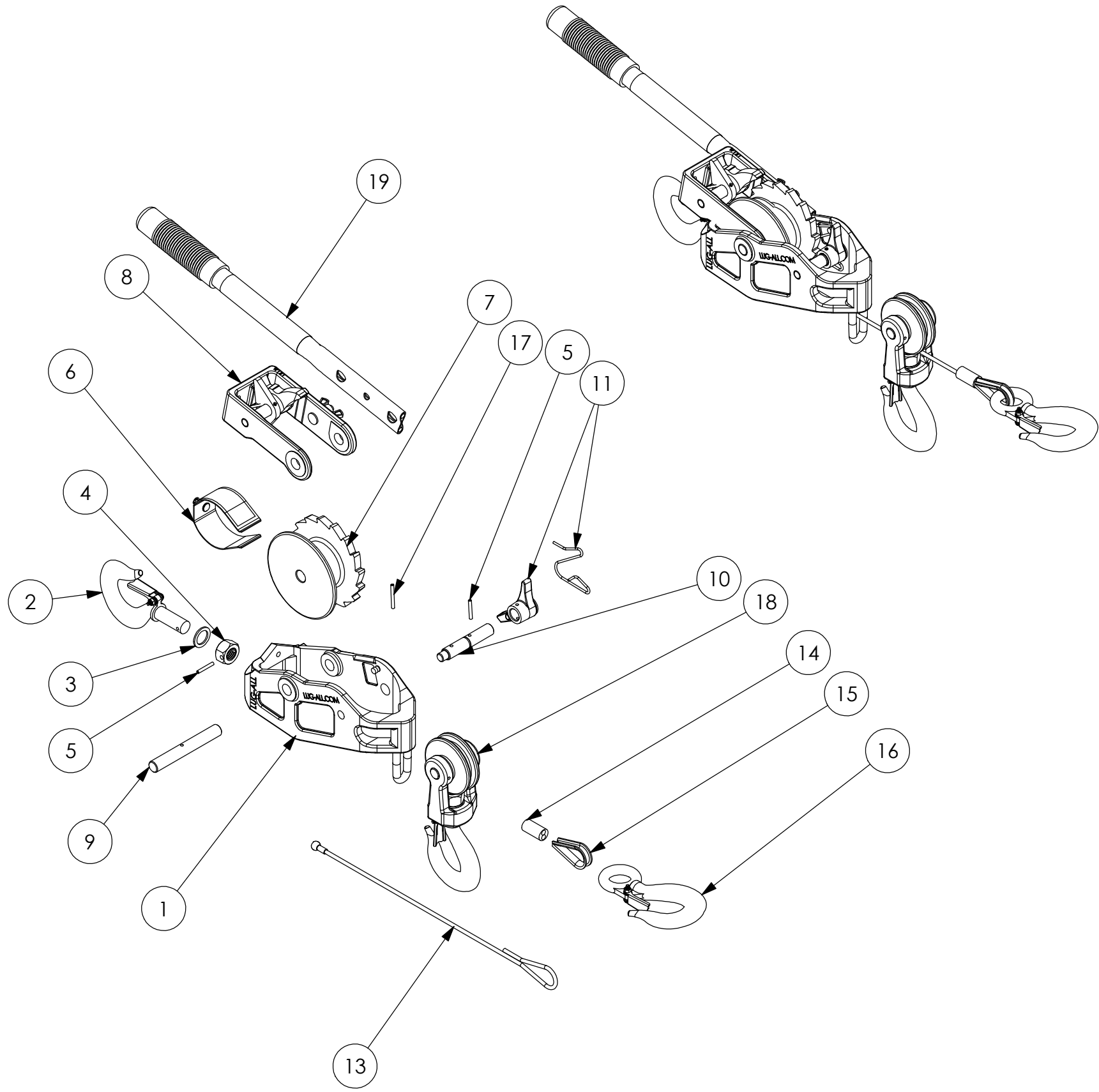


THE INFORMATION CONTAINED IN THIS DRAWING IS THE SOLE PROPERTY OF LUG-ALL CORPORATION. ANY REPRODUCTION IN PART OR AS A WHOLE WITHOUT THE WRITTEN PERMISSION OF LUG-ALL CORPORATION IS PROHIBITED.

ITEM	QTY.	PART NO.	DESCRIPTION
1	1	160	MAIN FRAME
2	1	138-GREEN	SHANK HOOK
3	1	118	HOOK WASHER
4	1	122	HOOK NUT
5	2	123	ROLL PIN
6	1	124	CABLE SHIELD ASSY.
7	1	106	DRUM
8	1	851	U-FRAME ASSY.
9	1	129	DRUM SHAFT
10	1	127	MAIN FRAME PAWL SHAFT
11	1	113-K	MAIN FRAME PAWL & SPRING KIT
13	1	109	CABLE 5/32 X 26FT
14	1	126	SLEEVE TYPE CABLE CLAMP
15	1	139	THIMBLE
16	1	137-GREEN	EYE TYPE HOOK
17	1	143	ROLL PIN
18	1	803-GREEN	PULLEY BLOCK ASSEMBLY
19	1	101-ENG	REVERSIBLE HANDLE



LUG-ALL CORPORATION
650 LINCOLN RD., BIRDSBORO, PA 19508

SIZE B	DWG. NO. 1500-25	REV. B
CAD FILE: 1500-25		SHEET 1 OF 1