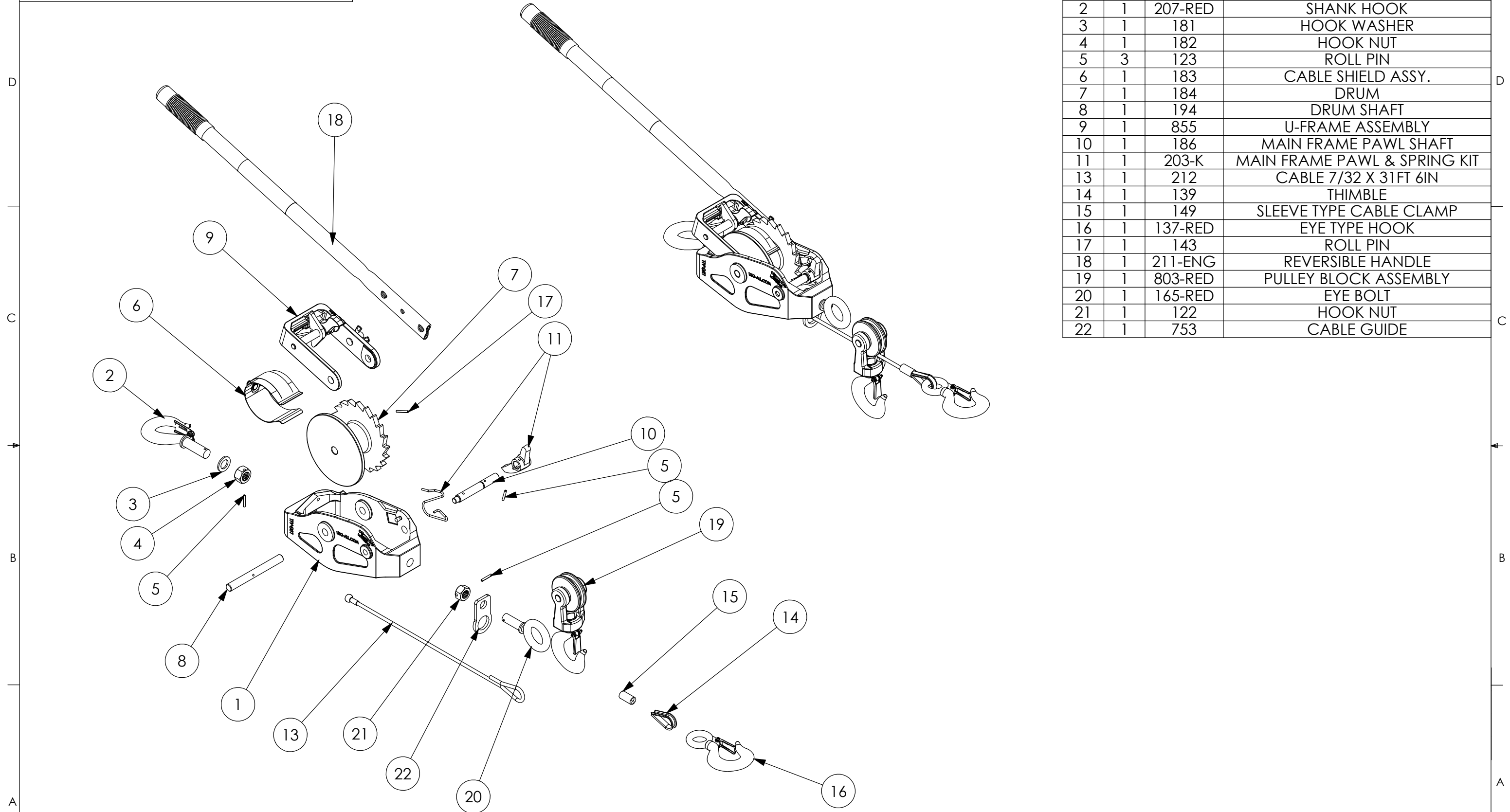


THE INFORMATION CONTAINED IN THIS DRAWING IS THE SOLE PROPERTY OF LUG-ALL CORPORATION. ANY REPRODUCTION IN PART OR AS A WHOLE WITHOUT THE WRITTEN PERMISSION OF LUG-ALL CORPORATION IS PROHIBITED.

ITEM	QTY.	PART NO.	DESCRIPTION
1	1	280	MAIN FRAME
2	1	207-RED	SHANK HOOK
3	1	181	HOOK WASHER
4	1	182	HOOK NUT
5	3	123	ROLL PIN
6	1	183	CABLE SHIELD ASSY.
7	1	184	DRUM
8	1	194	DRUM SHAFT
9	1	855	U-FRAME ASSEMBLY
10	1	186	MAIN FRAME PAWL SHAFT
11	1	203-K	MAIN FRAME PAWL & SPRING KIT
13	1	212	CABLE 7/32 X 31FT 6IN
14	1	139	THIMBLE
15	1	149	SLEEVE TYPE CABLE CLAMP
16	1	137-RED	EYE TYPE HOOK
17	1	143	ROLL PIN
18	1	211-ENG	REVERSIBLE HANDLE
19	1	803-RED	PULLEY BLOCK ASSEMBLY
20	1	165-RED	EYE BOLT
21	1	122	HOOK NUT
22	1	753	CABLE GUIDE



LUG-ALL CORPORATION
650 LINCOLN RD., BIRDSBORO, PA 19508

SIZE B	DWG. NO. 3000-30	REV. C
CAD FILE: 3000-30		SHEET 1 OF 1