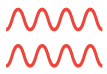


FURRION

40" BUILT-IN ELECTRIC FIREPLACE FF40SW15A-BL



WORKS WITH
UNIMOTE



VIBRATIONSMART™



CLIMATESMART™



OVERHEATING
SAFETY CUT-OFF



SLIDE-OUT
SAFETY CUT-OFF



TEMPERATURE
CONTROL SETTINGS



HEAT UP
TO 500sq.ft



SIMULATED WOOD
WITH 4-LEVEL LED
FLAME TECHNOLOGY

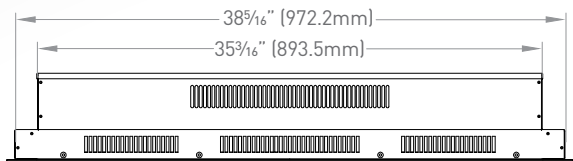
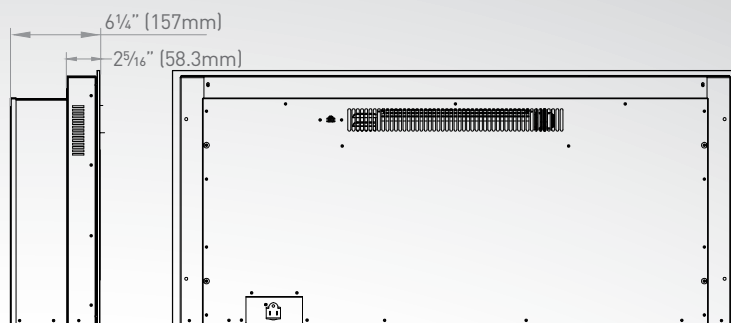
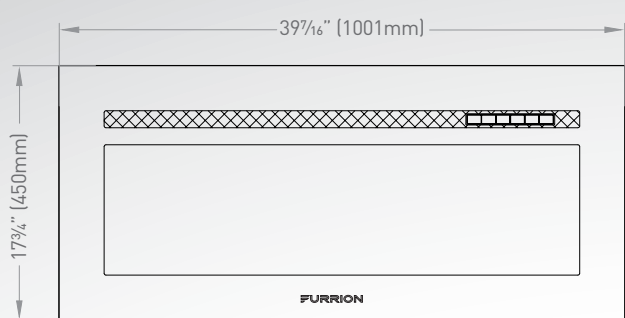


TIMER

- Flame effect technology: traditional flame
- 4 flame brightness settings
- Black tempered glass front panel
- LED control board
- Temperature control
- Slide-out safety cut-off: close proximity sensor switches power off automatically
- Adjustable temperature settings from 65°F to 95°F
- Timer setting up to 5 hours
- Remote control included



FF40SW15A-BL | 40" BUILT-IN ELECTRIC FIREPLACE



Specifications

Rated Voltage	AC 120V/60Hz
Heating Output	750W/1465W
LED Control Board	✓
Timer	✓
Log Fuel Effect	✓
Remote Type	IR

Dimensions

Product Size (W x H x D)	39 7/16" x 17 3/4" x 6 1/4" (1001 x 450 x 157.5mm)
--------------------------	---

Packaging Information

Packaging Type	Brown Box
Quantity Per Box (pcs)	1
Individual Packaging Dimensions (W x H x D)	49 13/16" x 19 1/2" x 8" (1045 x 495 x 202 mm)
Individual Packaging Gross Weight (kg/lbs)	22 / 48.5
Individual Packaging Net Weight (kg/lbs)	20 / 44.1

Container Load Information

40'HQ Container Load (pcs)	615
----------------------------	-----