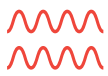




WORKS WITH  
UNIMOTE



VIBRATIONSMART™



CLIMATESMART™



OVERHEATING  
SAFETY CUT-OFF



SLIDE-OUT  
SAFETY CUT-OFF



TEMPERATURE  
CONTROL SETTINGS



HEAT UP  
TO 500sq.ft



SIMULATED WOOD  
WITH 4-LEVEL LED  
FLAME TECHNOLOGY

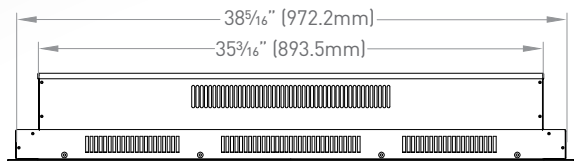
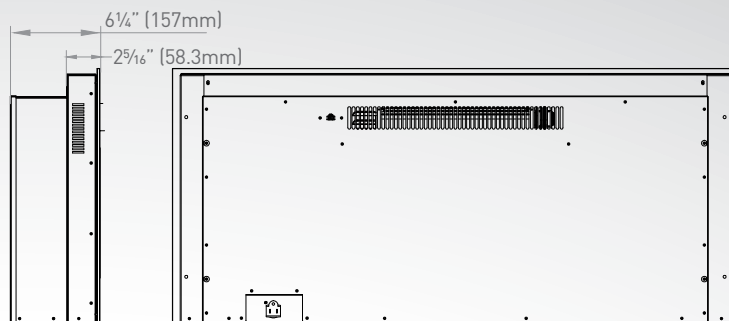
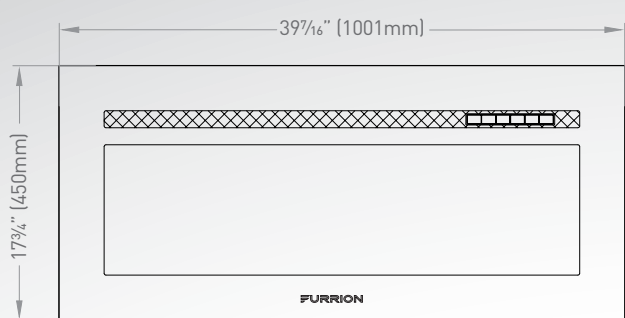


TIMER

- Flame effect technology: traditional flame
- 4 flame brightness settings
- Black tempered glass front panel
- LED control board
- Temperature control
- Slide-out safety cut-off: close proximity sensor switches power off automatically
- Adjustable temperature settings from 65°F to 95°F
- Timer setting up to 5 hours
- Remote control included



# FF40SW15A-BL | 40" BUILT-IN ELECTRIC FIREPLACE



## Specifications

|                   |              |
|-------------------|--------------|
| Rated Voltage     | AC 120V/60Hz |
| Heating Output    | 750W/1500W   |
| LED Control Board | ✓            |
| Timer             | ✓            |
| Log Fuel Effect   | ✓            |
| Remote Type       | IR           |

## Dimensions

|                          |   |
|--------------------------|---|
| Product Size (W x H x D) | 39 7/16" x 17 3/4" x 6 1/4"<br>(1001 x 450 x 157.5mm) |
|--------------------------|---|

## Packaging Information

|   |   |
|---|---|
| Packaging Type                              | Brown Box   |
| Quantity Per Box (pcs)                      | 1   |
| Individual Packaging Dimensions (W x H x D) | 49 13/16" x 19 1/2" x 8"<br>(1045 x 495 x 202 mm) |
| Individual Packaging Gross Weight (kg/lbs)  | 22 / 48.5   |
| Individual Packaging Net Weight (kg/lbs)    | 20 / 44.1   |

## Container Load Information

|                            |     |
|----------------------------|-----|
| 40'HQ Container Load (pcs) | 615 |
|----------------------------|-----|