

FURRION

ALL-IN-ONE POWER CENTER

FCVSWC54A



OVER VOLTAGE
PROTECTION



OVER CURRENT
PROTECTION



SHORT CIRCUIT
PROTECTION



THERMAL
PROTECTION

UP TO
420W

CONVERTER/CHARGER
RATING



LEAD ACID
BATTERY CHARGING



WORK WITH FURRION
LIFEPO4 BATTERY



BATTERY
MAINTENANCE-FREE



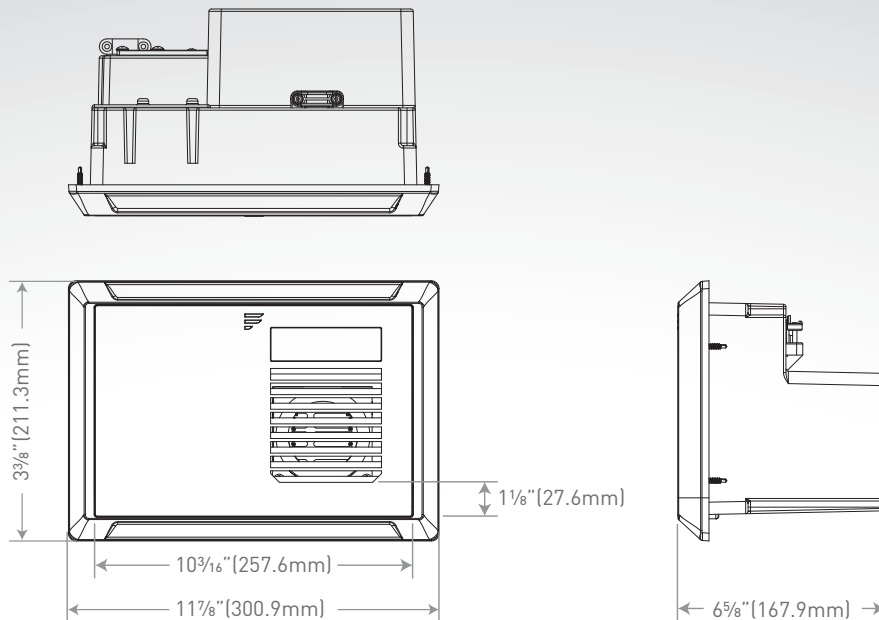
INTELLIGENT
FAN SPEED CONTROL

- Easy access reverse battery protection fuses

- Reverse Polarity Protection (fused)



FCVSWC54A | ALL-IN-ONE POWER CENTER



Specifications

LiFePo4	
Bulk	14.6V
Float	13.6V
Sealed	
Bulk	14.4V
Float	13.4V
Stand By Voltage	13.2V
Charge Current	45A
Operation Voltage Range	105Vac to 132Vac / 60Hz
Full Load Input Power	790W
No Load Input Current	250mA
Full Load Input Current (120V/60Hz)	8.8A
Efficiency (at LiFePo4)(120Vac)	>80%
Line Regulation At Full Load (@input voltage 105V to 132V)	3%
Output Over Voltage Protection	✓
Load Regulation (10%-100% Load)	3%
Auto Battery Type Selection	✓
Certification	UL458/UL67/FCC PART 15b
Working Environment	-10°C to 50°C/14°F to 122°F
Storage Environment	-20°C to 70°C/-4°F to 158°F

Protection

Reverse Polarity Protection	By Fuse
Electronic Current Limiting	✓
Intelligent Fan Speed Control	✓
Intelligent Thermal De-rating & Cut-off Protection	✓
DC Lower & Higher Voltage Protection	✓
AC Lower Voltage Protection	✓

Packaging Information

Packaging Type	Master Carton Box
Quantity Per Box (pcs)	2
Master Carton Dimensions (W x H x D)	15 3/4" x 15 3/4" x 15 3/16" (400 x 400 x 385mm)
Master Carton Gross Weight (kg/lbs)	
Master Carton Net Weight (kg/lbs)	

Container Load Information

40" HQ Container Load (pcs)	1800
-----------------------------	------

* Note: "✓" = Equipped