

FCE48TASL

# Vehicle Observation System

## Furrion Vision S™ Side Camera with Maker Light

---



### Main Features

---



CMOS 65°  
VIEW ANGLE



INFRARED  
NIGHT VISION



CAMERA  
RESOLUTION



INTELLIGENT  
IR CUT FILTER



MOTION  
DETECT



WATERPROOF

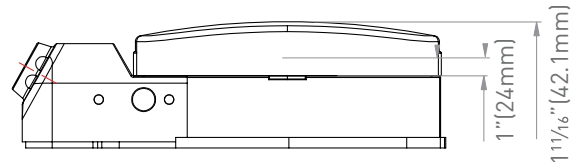
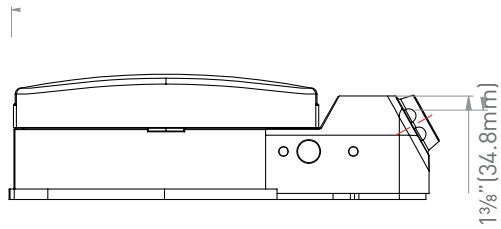
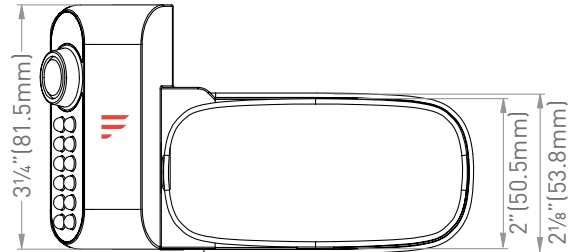
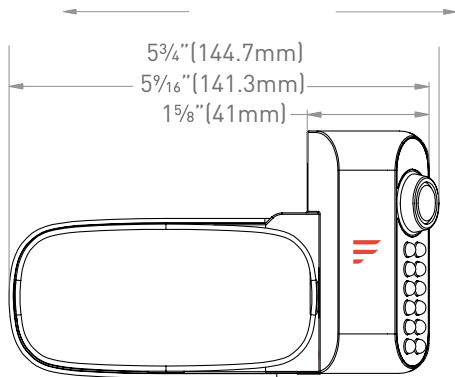


BLIND SPOT  
TURN SIGNAL



OPTIONAL BUILT IN  
RUNNING LIGHT

FURRION



## Specifications

Night Vision Distance	<39ft (12m)
CMOS Size	1/3"
Optical Lens	F2.5
IR Cut Filter	850nm Automatic
View Angle/Degree	65°
Working Current (IR ON)	<500mA @12V
Working Current (IR OFF)	<250mA @12V
Camera Pixel	720 x 480
Waterproof	IP65

