

FURRION

0.9 cu. ft. SOLO MICROWAVE OVEN
WITH TRIM KIT

FMSM09



FMSM09-BL



FMSM09-MG



900W

MICROWAVE

0.9
cu. ft.

CAPACITY



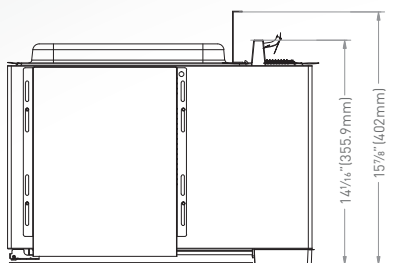
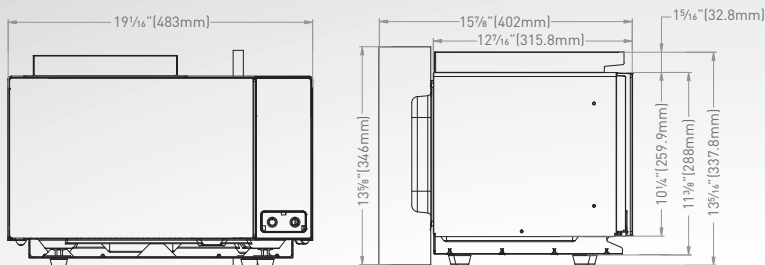
AUTO-TIMER

- Six one-touch convenience cooking controls make operation quick and easy
- Defrost power levels are programmed automatically or manually
- Turntable rotates food throughout the cycle
- Compatible with stainless steel and black colour trim kit

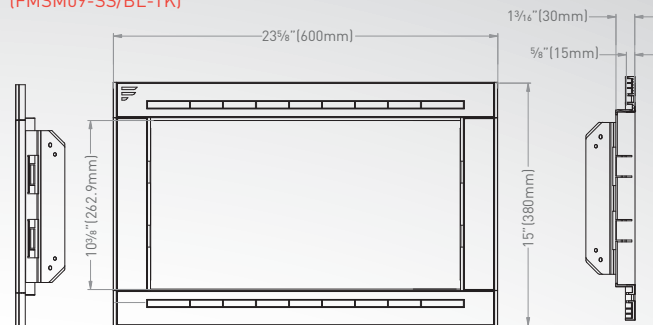


FMSM09 | 0.9 cu. ft. SOLO MICROWAVE OVEN WITH TRIM KIT

Microwave (FMSN09-BL/MG)



Trim Kit (FMSM09-SS/BL-TK)



FMSN09-BL (Black)	0.9 cu. ft. built-in microwave without trim kit
FMSN09-MG (Mirror Glass)	
FMSM09-BL (Black)	0.9 cu. ft. built-in microwave with trim kit
FMSM09-MG (Mirror Glass)	
FMSM09-SS-TK (Stainless Steel)	Trim kit for 0.9 cu. ft. built-in microwave
FMSM09-BL-TK (Black)	

Specifications

Oven Capacity	0.9 cu. ft.
Power Source	120V/60Hz
Rated Output Power (Microwave)	900W
Rated Input	1350W
Display Type	LED
Control Method	Electronic
Door Opening Type	Button
MW Type	Turntable
Turntable Diameter	Φ13.6"
Turntable Material	Glass
Power Level	10
Max Cooking Time	99"99'
Auto Cook	✓
Child Lock	✓
Reminder End Signal	✓

Packaging Information (FMSN09)

Packaging Type	Brown Carton Box
Quantity Per Box (pcs)	1
Individual Packaging Dimensions (L x H x W)	21 1/8" x 16 15/16" x 15 1/4" (547 x 430 x 387mm)
Individual Packaging Gross Weight (kg/lbs)	16/35.3
Individual Packaging Net Weight (kg/lbs)	14.3/31.5

Container Load Information (FMSN09)

20' Container Load (pcs)	300
40' Container Load (pcs)	630
40'HQ Container Load (pcs)	684

Packaging Information (FMSM09-SS/BL-TK)

Packaging Type	Brown Carton Box
Quantity Per Box (pcs)	1
Individual Packaging Dimensions (L x H x W)	28 3/16" x 2 7/8" x 2 7/8" (714 x 72 x 72mm)
Individual Packaging Gross Weight (kg/lbs)	
Individual Packaging Net Weight (kg/lbs)	

Container Load Information (FMSM09-SS/BL-TK)

20' Container Load (pcs)	
40' Container Load (pcs)	
40'HQ Container Load (pcs)	