

FURRION NET-ZERO

50A WALL MOUNT MPPT SOLAR CHARGE CONTROLLER WITH MOUNTING BRACKET

FSCC60PWB-BL



COMPATIBLE
BATTERY SYSTEM



WORKS WITH FURRION
LIFEPO4 BATTERY



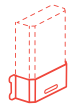
HIGH TRACKING
EFFICIENCY



QUIET
COOLING FAN



AUTOMATIC
TEMPERATURE
COMPENSATION



MOUNTING BRACKET
INCLUDED
(FSCC60PWM-BL)

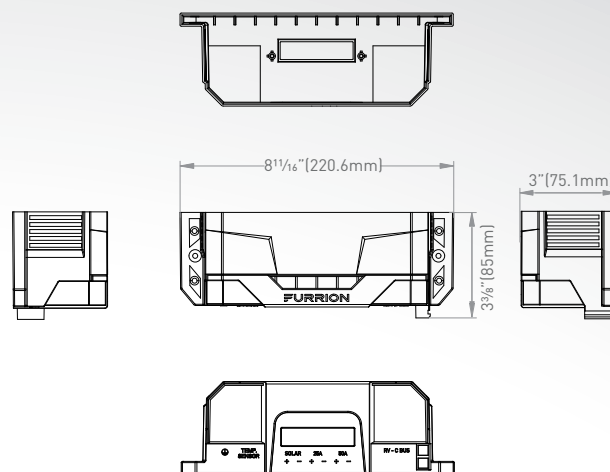
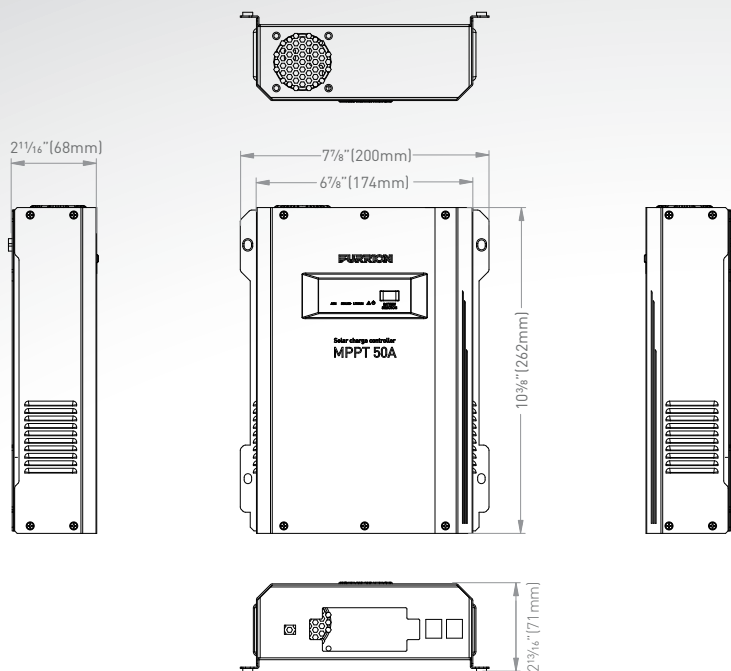
- High open circuit voltage of PV input
- CAN Bus communication port compatible with Furrion's simple handshake communication
- Multi-stage charging algorithm (bulk/absorption/float)
- Compatible with numerous battery types



FSCC60PWB-BL | 50A WALL MOUNT MPPT SOLAR CHARGE CONTROLLER (WITH MOUNTING BRACKET)

50A Wall Mount MPPT Solar Charge Controller (FSCC60PW-BL)

MPPT Controller Mounting Bracket (FSCC60PWM-BL)



Specifications

Nominal System Voltage	12V/24V
Max. PV Power (Pmax)	600W
Max. PV Open Circuit Voltage (VOC)	16 to 135V
MPPT Efficiency	≥99%
ECO Mode	<5mA
Min. Battery Voltage for Charging	8V/20V
Max. MPPT Charging Current	50A
Charging Mode (three charging stage)	constant voltage charging, absorption charging, float charging
Different Battery Mode Option	AGM, LiFePO4, Sealed lead acid
LED Indicator	✓
Maximum Charging Efficiency	≥90%
Automatic Detection for Battery	✓
Automatic Temperature Compensation	✓
Battery Over Charging Protection	✓
PV Reverse Protection	✓
Battery Reverse Protection	✓
Over Temperature Protection	✓
Grounding	Common Negative
Communication Port	RV-C BUS
Operating Temperature Range	-20°C to 40°C/-4°F to 104°F
Storage Temperature Range	-30°C to 70°C/-22°F to 158°F, 10 to 95% RH

Master Carton

50A Wall Mount MPPT Solar Charge Controller	
Packaging Type	Master Carton Box
Quantity Per Box (pcs)	4
Master Carton Dimensions (W x H x D)	21 ⁷ / ₁₆ " x 11 ¹ / ₈ " x 13 ³ / ₁₆ " (543 x 282 x 334mm)

Master Carton Gross Weight (kg/lbs)	
Master Carton Net Weight (kg/lbs)	

MPPT Controller Mounting Bracket

Packaging Type	Master Carton Box
Quantity Per Box (pcs)	12
Master Carton Dimensions (W x H x D)	18 ¹³ / ₁₆ " x 10 ⁷ / ₁₆ " x 9 ⁷ / ₁₆ " (477 x 264 x 239mm)

Master Carton Gross Weight (kg/lbs)	
Master Carton Net Weight (kg/lbs)	

Container Load Information

50A Wall Mount MPPT Solar Charge Controller	
40" HQ Container Load (pcs)	5016
MPPT Controller Mounting Bracket	
40" HQ Container Load (pcs)	25596

* Note: "✓" = Equipped