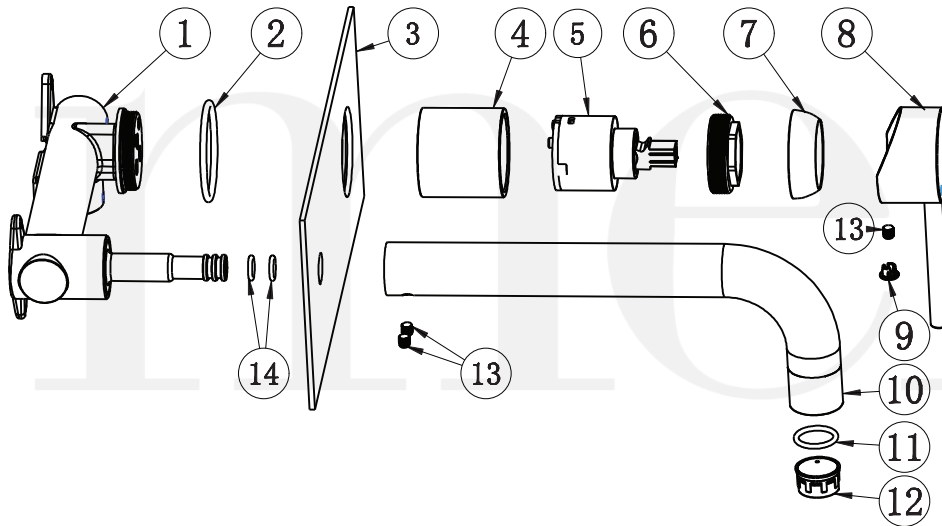


Item Description



- 1 Welding body
- 2 O-ring
- 3 Back plate
- 4 Copper sleeve
- 5 D35 cartridge
- 6 Nut
- 7 Decor cover
- 8 Handle
- 9 Decor knob
- 10 Spout
- 11 O-ring
- 12 Aerator
- 13 Screw
- 14 O-ring