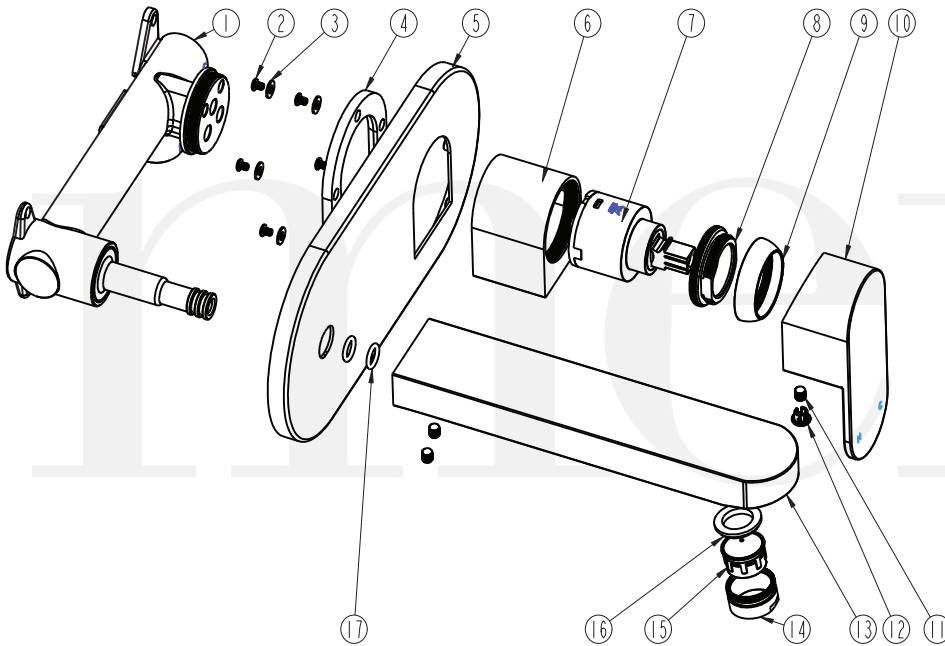


Item Description



- 1 Welding body
- 2 Screw
- 3 Gasket
- 4 Rubber ring
- 5 Back plate
- 6 Copper sleeve
- 7 D35 cartridge
- 8 Nut
- 9 Decor cover
- 10 Handle
- 11 Screw
- 12 Decor knob
- 13 Spout
- 14 Aerator shell
- 15 Aerator
- 16 Flat washer
- 17 O-ring