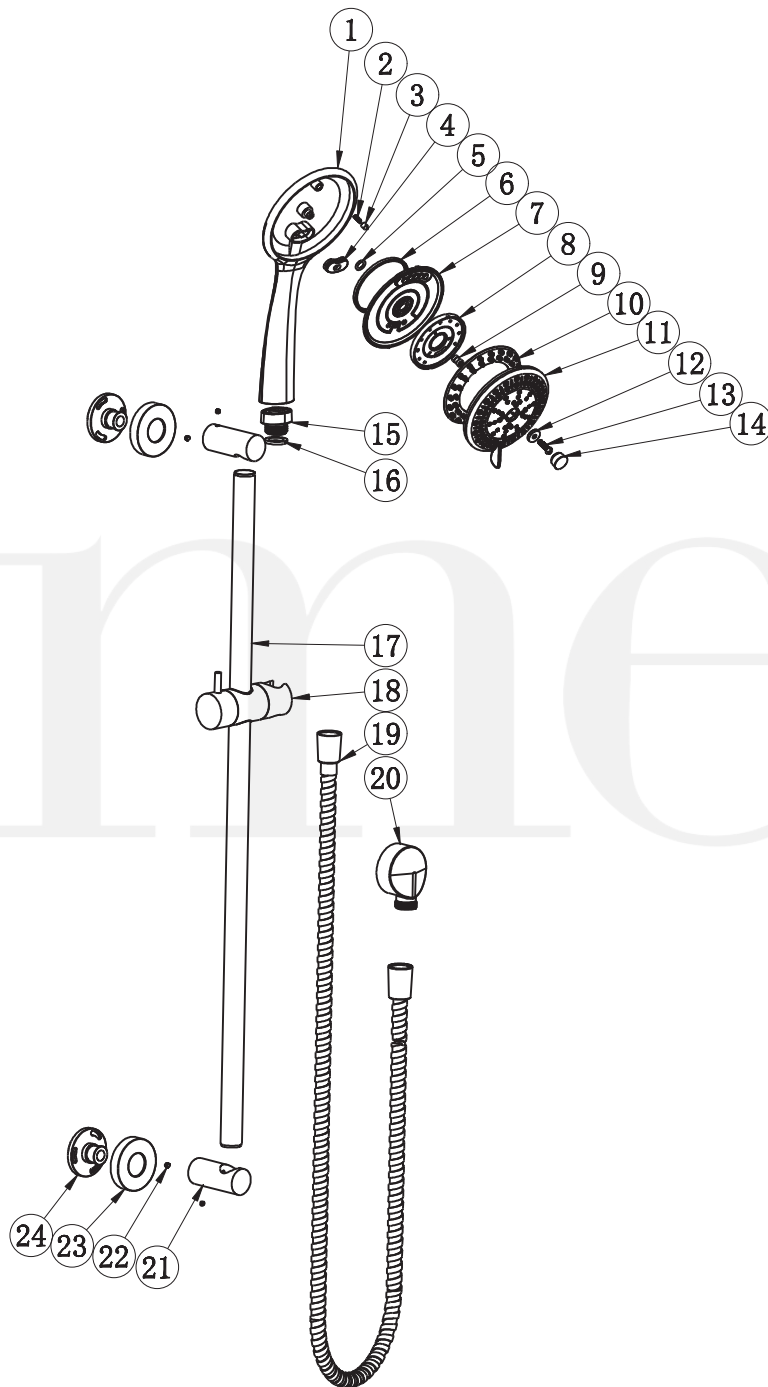


## Item Description



- |    |                 |
|----|-----------------|
| 1  | Body            |
| 2  | Spring          |
| 3  | Stop ping       |
| 4  | Gasket          |
| 5  | O-ring          |
| 6  | Y-ring          |
| 7  | Seal cover      |
| 8  | Divided water   |
| 9  | Rotator         |
| 10 | TPR spray plate |
| 11 | Spray plate     |
| 12 | Washer          |
| 13 | Screw           |
| 14 | Cover           |
| 15 | Plug            |
| 16 | Washer          |
| 17 | Shower rail     |
| 18 | Handle shower   |
| 19 | Shower hose     |
| 20 | Eblow           |
| 21 | Base            |
| 22 | Screw           |
| 23 | Fixed seat      |
| 24 | Base            |