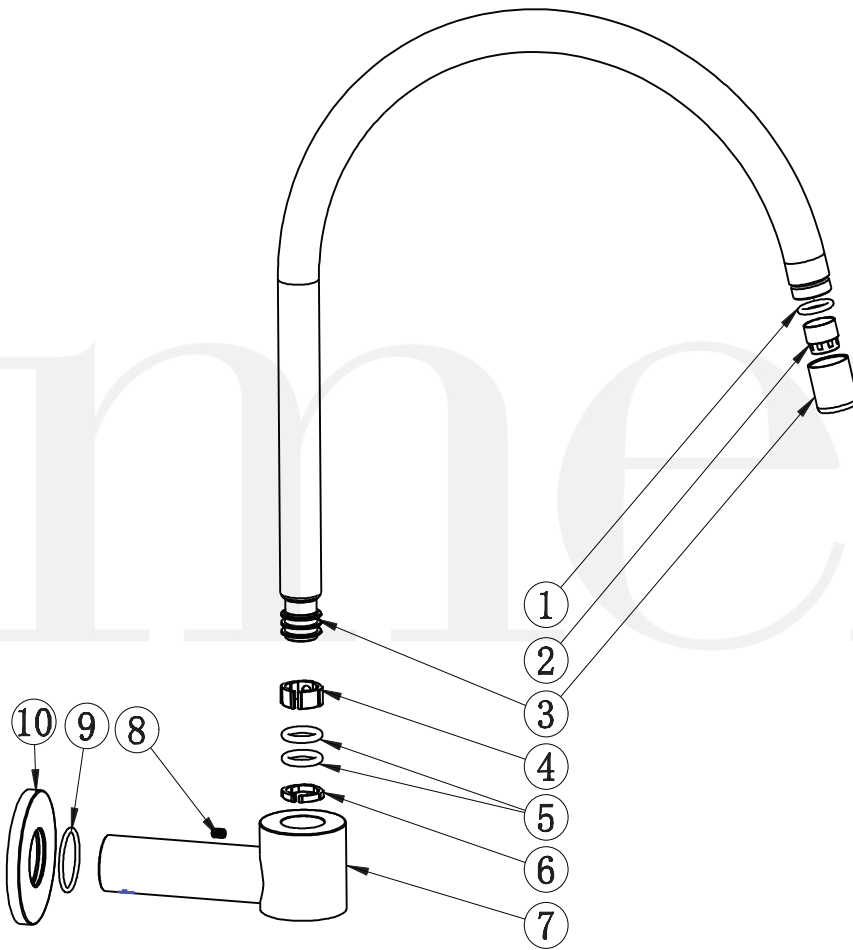


Item Description

- 1 O-ring
- 2 Aerator
- 3 Spout
- 4 Wearing ring
- 5 O-ring
- 6 Wearing ring
- 7 Base
- 8 Screw
- 9 O-ring
- 10 Back plate



Item Description

- 1 Red paper pad
- 2 Hot cartridge
- 3 Back plate
- 4 Nut
- 5 Connector
- 6 Washer
- 7 Screw
- 8 Handle lever
- 9 Handle
- 10 Screw
- 11 Decor knob
- 12 Cold cartridge

