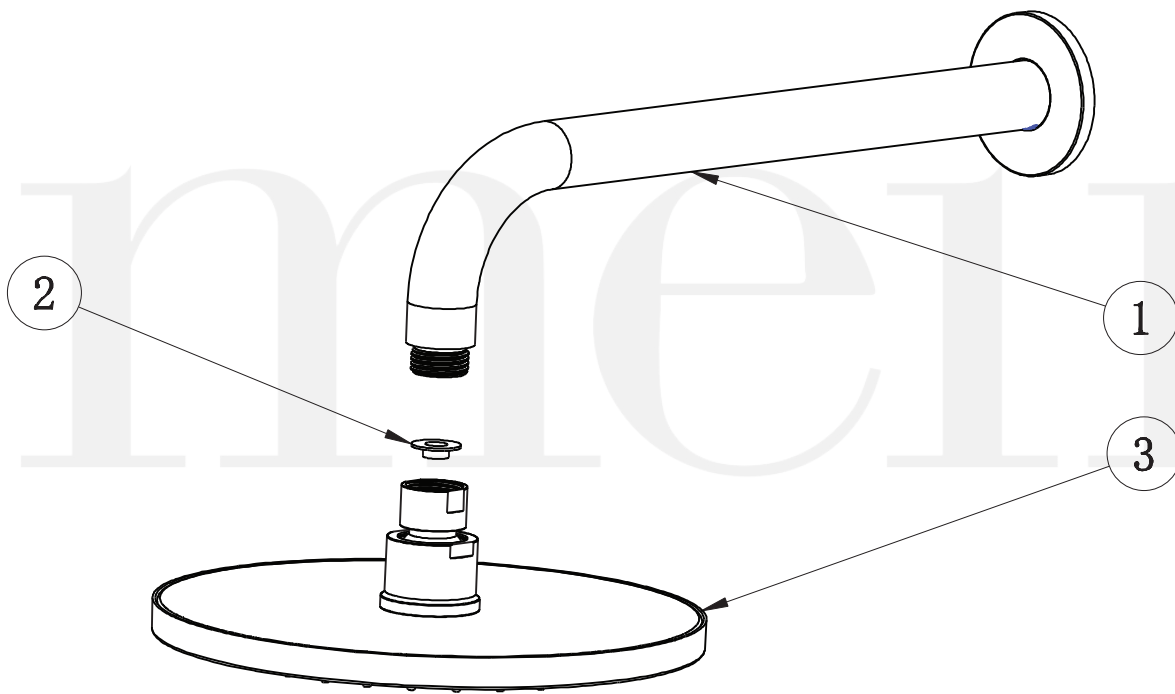
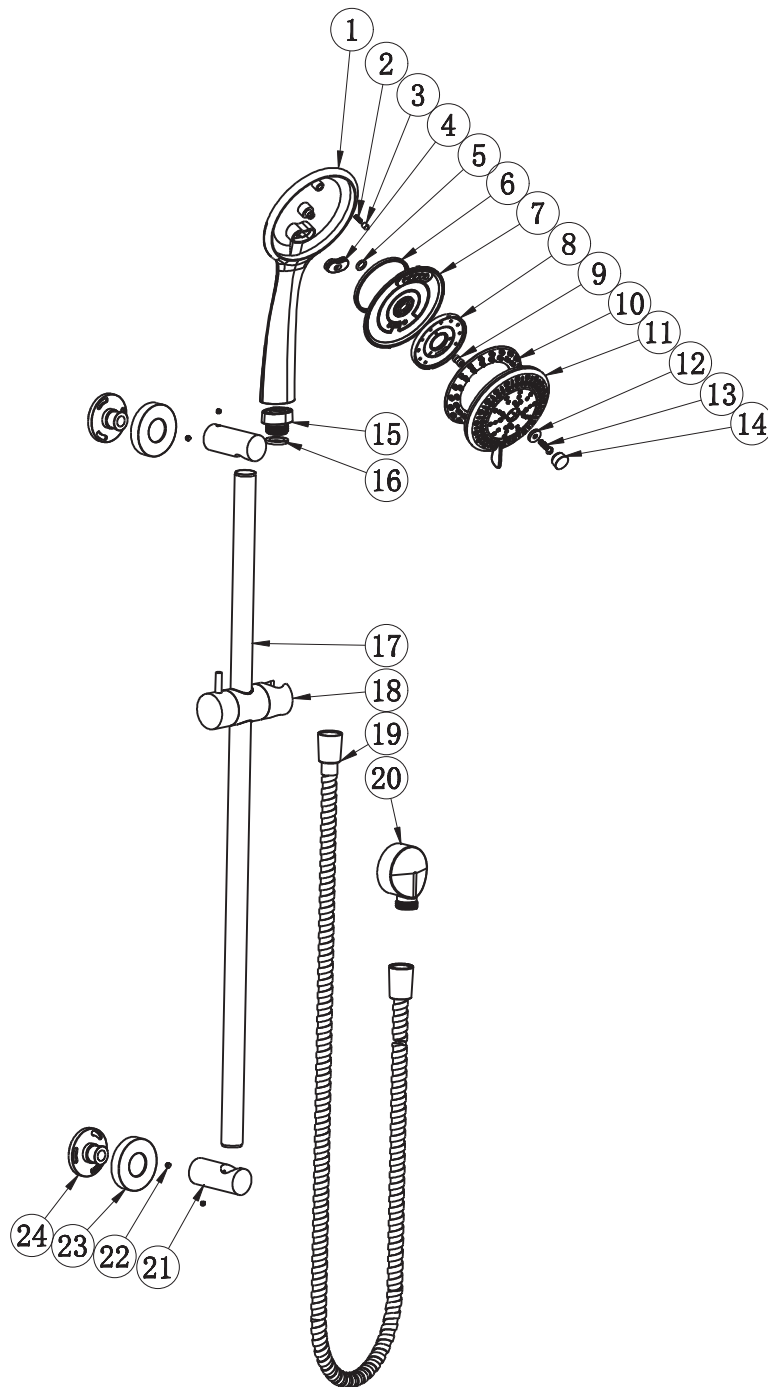


Item Description

- 1 Shower arm
- 2 Flow controller
- 3 Shower rose

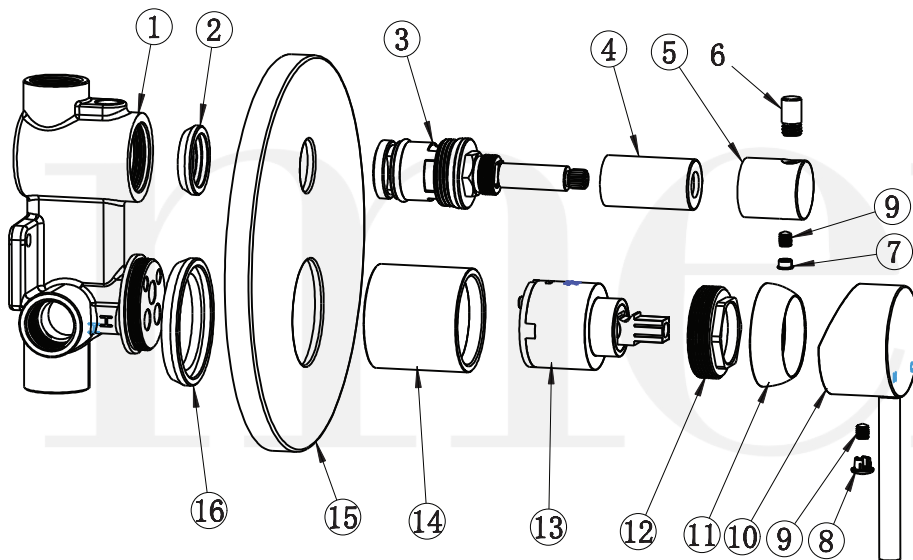




Item Description

- | | |
|----|-----------------|
| 1 | Body |
| 2 | Spring |
| 3 | Stop ping |
| 4 | Gasket |
| 5 | O-ring |
| 6 | Y-ring |
| 7 | Seal cover |
| 8 | Divided water |
| 9 | Rotator |
| 10 | TPR spray plate |
| 11 | Spray plate |
| 12 | Washer |
| 13 | Screw |
| 14 | Cover |
| 15 | Plug |
| 16 | Washer |
| 17 | Shower rail |
| 18 | Handle shower |
| 19 | Shower hose |
| 20 | Eblow |
| 21 | Base |
| 22 | Screw |
| 23 | Fixed seat |
| 24 | Base |

Item Description



- 1 Body
- 2 O-ring
- 3 Divertor cartridge
- 4 Decor cover
- 5 Handle
- 6 Handle lever
- 7 Decor knob
- 8 Decor knob
- 9 Screw
- 10 Handle
- 11 Decor cover
- 12 Gland nut
- 13 D35 cartridge
- 14 Copper sleeve
- 15 Back plate
- 16 Rubber washer