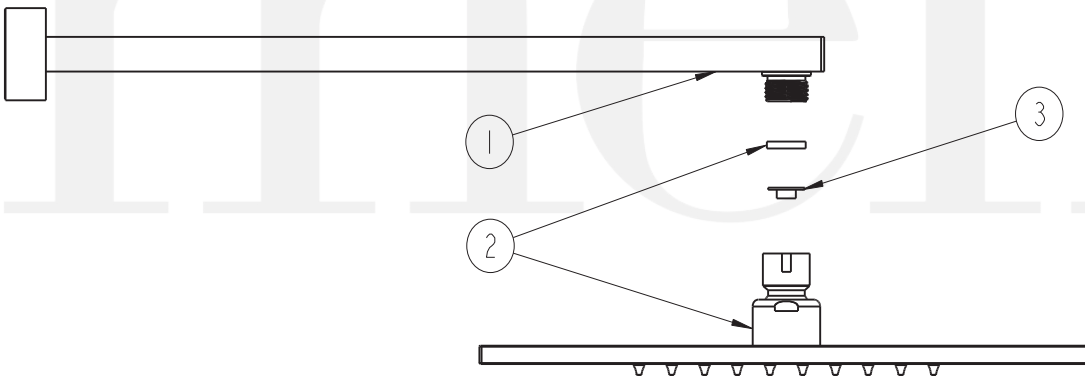
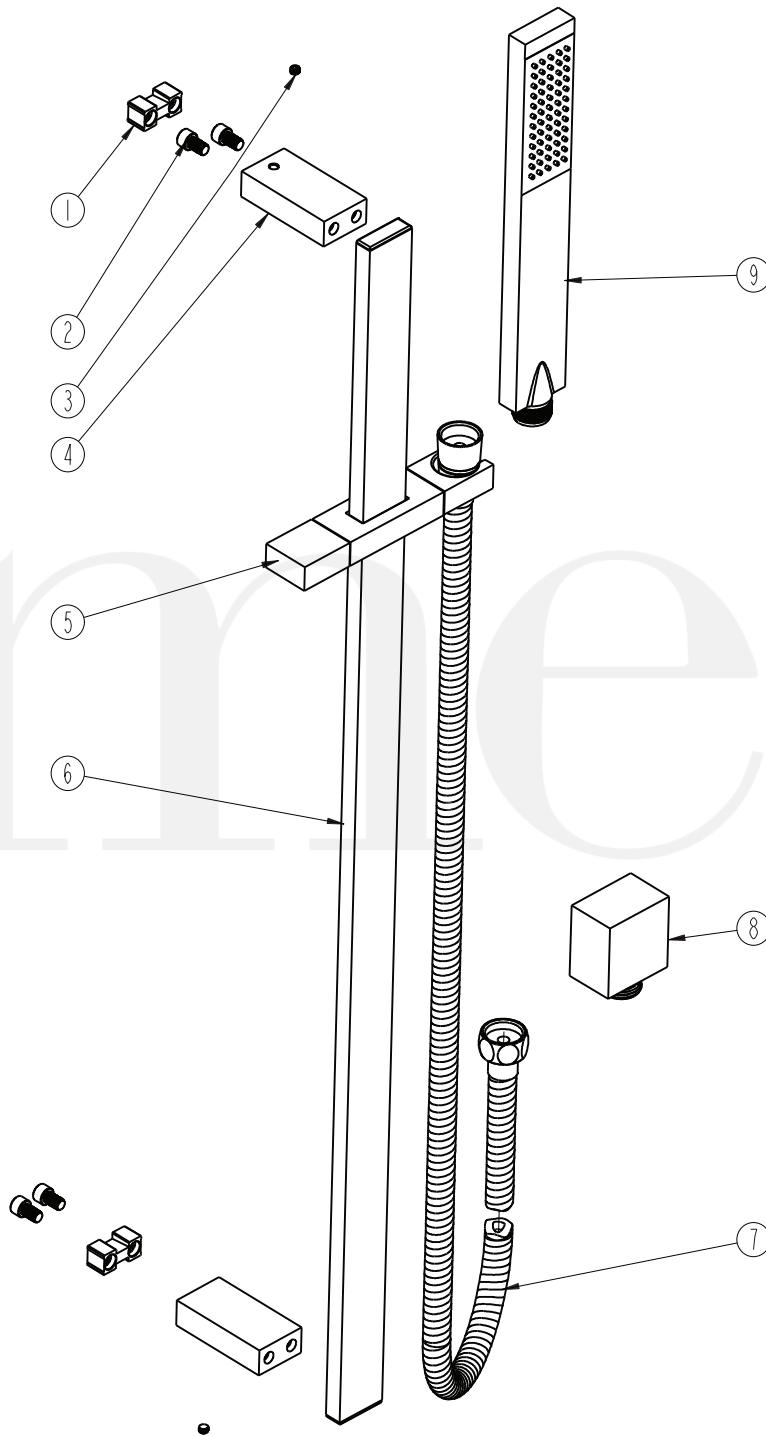


Item Description

- 1 Spout
- 2 Shower rose
- 3 Flow controller

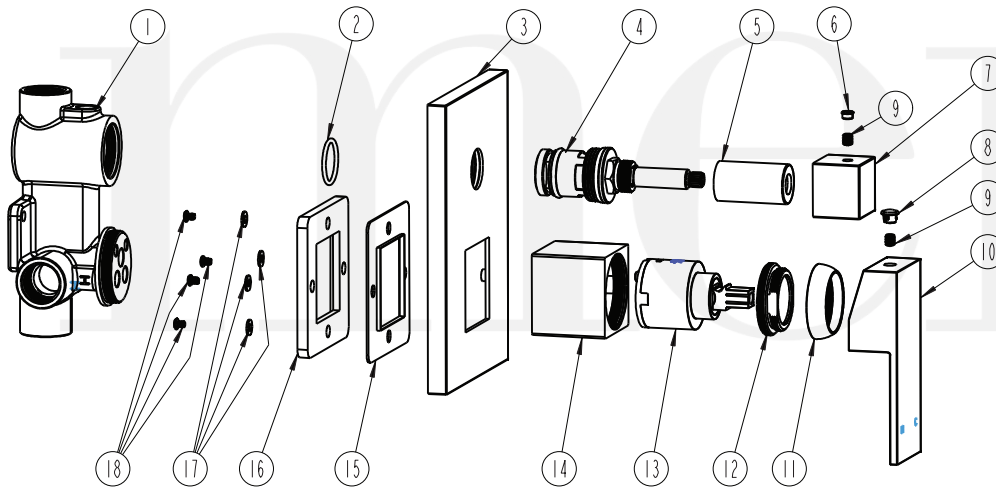




Item Description

- 1 Base
- 2 Bolt
- 3 Screw
- 4 Base
- 5 Bracket
- 6 Shower rail
- 7 Shower hose
- 8 Elbow
- 9 Handle shower

Item Description



- 1 Body
- 2 O-ring
- 3 Back plate
- 4 Cartridge
- 5 Decor cover
- 6 Decor knob
- 7 Handle
- 8 Decor knob
- 9 Screw
- 10 Handle
- 11 Decor cover
- 12 Nut
- 13 D35 cartridge
- 14 Copper sleeve
- 15 Rubber ring
- 16 Rubber ring
- 17 Gasket
- 18 Screw