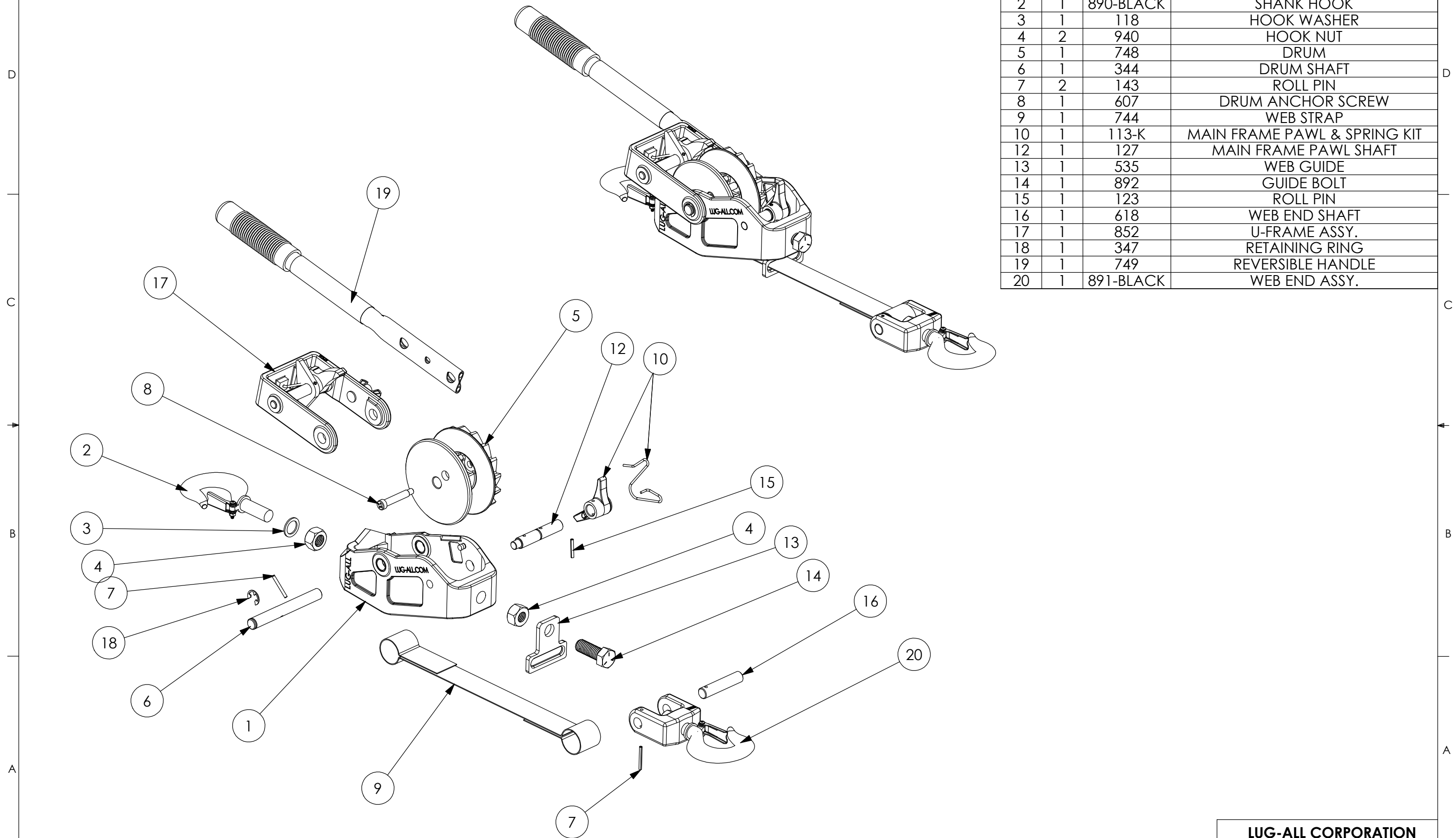


THE INFORMATION CONTAINED IN THIS DRAWING IS THE SOLE PROPERTY OF LUG-ALL CORPORATION. ANY REPRODUCTION IN PART OR AS A WHOLE WITHOUT THE WRITTEN PERMISSION OF LUG-ALL CORPORATION IS PROHIBITED.

ITEM	QTY.	PART NO.	DESCRIPTION
1	1	603	MAIN FRAME
2	1	890-BLACK	SHANK HOOK
3	1	118	HOOK WASHER
4	2	940	HOOK NUT
5	1	748	DRUM
6	1	344	DRUM SHAFT
7	2	143	ROLL PIN
8	1	607	DRUM ANCHOR SCREW
9	1	744	WEB STRAP
10	1	113-K	MAIN FRAME PAWL & SPRING KIT
12	1	127	MAIN FRAME PAWL SHAFT
13	1	535	WEB GUIDE
14	1	892	GUIDE BOLT
15	1	123	ROLL PIN
16	1	618	WEB END SHAFT
17	1	852	U-FRAME ASSY.
18	1	347	RETAINING RING
19	1	749	REVERSIBLE HANDLE
20	1	891-BLACK	WEB END ASSY.



**LUG-ALL CORPORATION**  
650 LINCOLN RD., BIRDSBORO, PA 19508

SIZE <b>B</b>	DWG. NO. <b>500-A</b>	REV. <b>B</b>
CAD FILE: 500-A		SHEET 1 OF 1