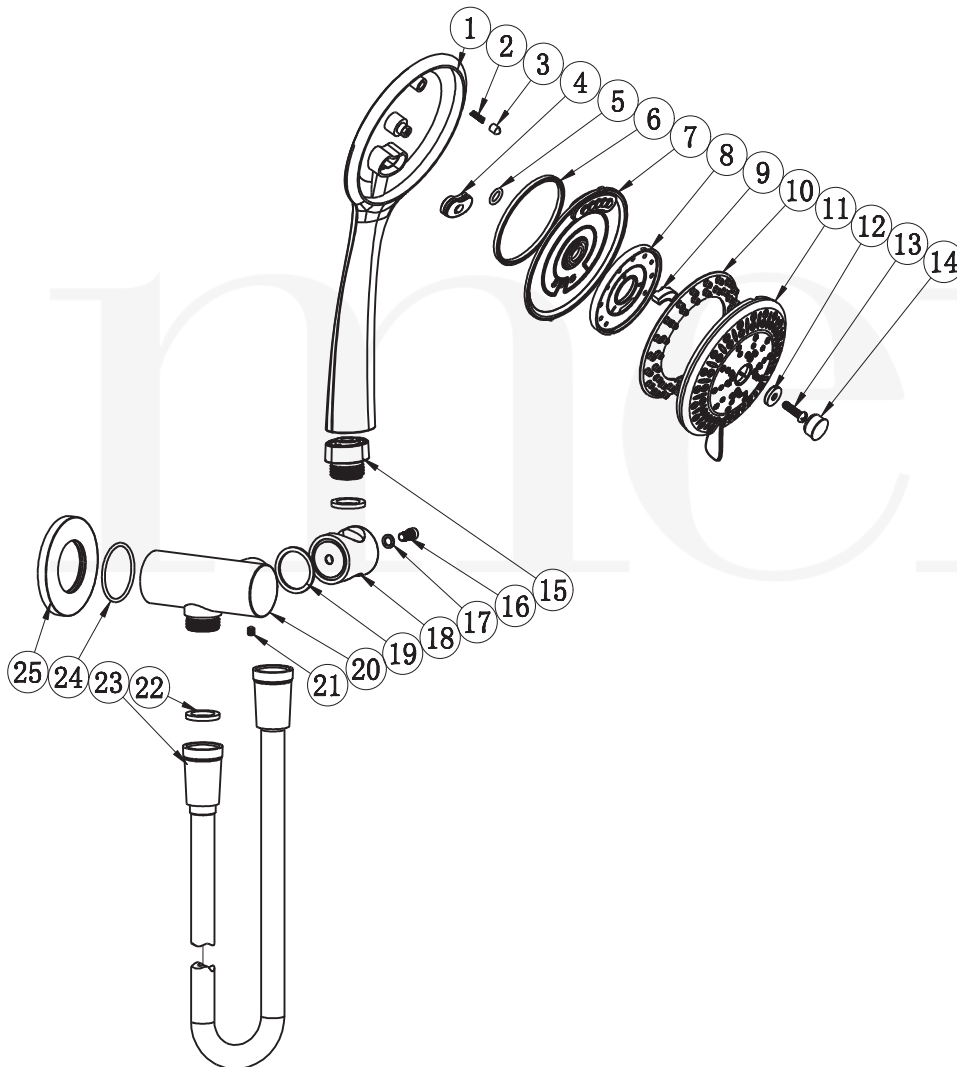


Item Description



- 1 Body
- 2 Spring
- 3 Stop ping
- 4 Gasket
- 5 O-ring
- 6 Y-ring
- 7 Seal cover
- 8 Divided water
- 9 Rotator
- 10 TPR spray plate
- 11 Spray plate
- 12 Washer
- 13 Screw
- 14 Cover
- 15 Plug
- 16 Screw
- 17 Wear-resisting ring
- 18 Shower holder
- 19 Wear-resisting ring
- 20 Bracket
- 21 Screw
- 22 Flat washer
- 23 Shower hose
- 24 O-ring
- 25 Back plate