

MK07

PULL OUT KITCHEN MIXER

meir®



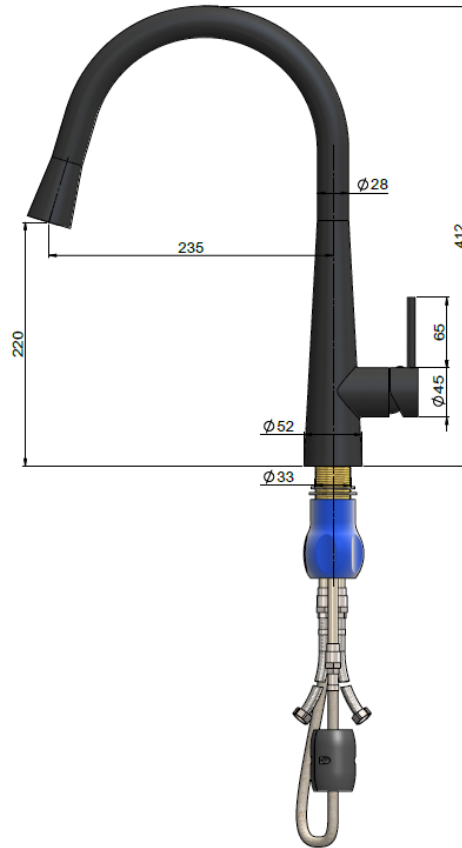
FEATURES

- Refer to the Meir website for warranty terms & conditions, and available finishes.
- Flow rate 5 L p/m at 3 bar pressure.
- European components and cartridge
- Solid brass construction
- Pull out hand spout
- Box Weight 3.12 Kg

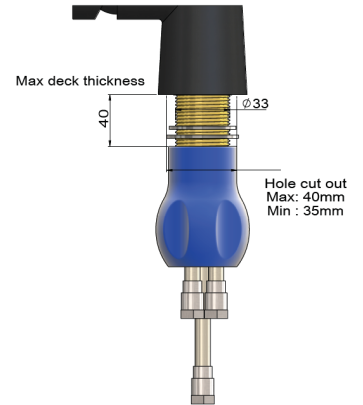
CARE

- Do not install tapware using any form of acetone silicones.
- Do not apply physical items (such as tools) directly to product.
- Never use house-hold or commercial detergents, citrus based cleaners, or abrasive cleaners.
- Clean using a mild washing soap solution rinsed, and dry with a soft cloth.
- Check for any product defects before installation.
- Refer to the installation manual for correct installation.

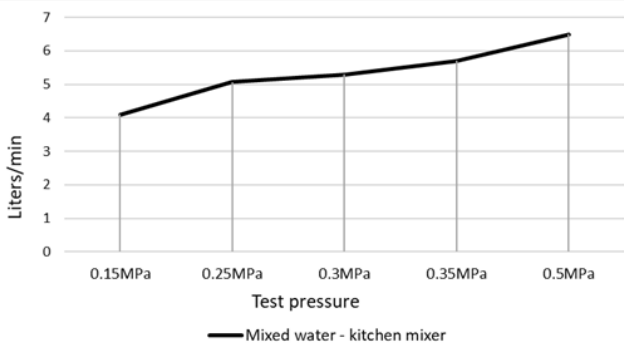
SPECIFICATIONS



TOLERANCES



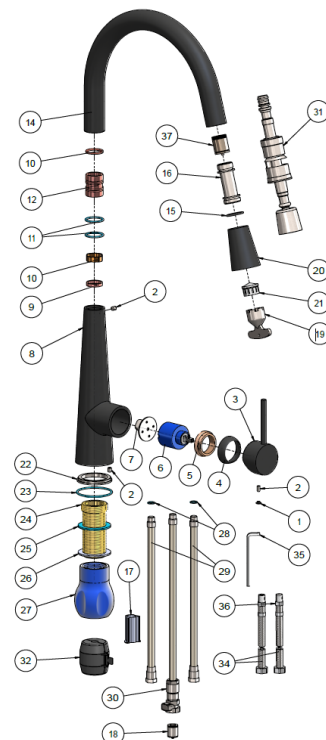
FLOW RATE GRAPH



CREDENTIALS

- Watermark AS/NZS3718WMKA25013
- 5-star WELS rated
- 5 litres p/minute
- WELS registration No: T37075

EXPLODED VIEW



No.	Part Name
1	Screw Cover
2	Hexagon socket flat end screw
3	Handle
4	Decorate Cap
5	Nut
6	Cartridge
7	Cartridge Base
8	Body
9	Wearing Ring
10	Wearing Ring
11	O-ring
12	Pipe Connector
13	Wearing Ring
14	Spout
15	O-ring
16	Nozzle Connector
17	Cover
18	Check Valve
19	Aerator Key
20	Brass Nozzle
21	Aerator
22	Base
23	O-ring
24	Screw Pipe
25	Rubber Gasket
26	s/s Gasket
27	Nut
28	O-ring
29	Inlet Pipe
30	Outlet Pipe
31	Shower Flexible Hose
32	Gravity Ball
34	Flexible Hose
35	Allen Key
36	Flexible Hose
37	Check Valve