

MDS02

ROUND DOOR STOP

meir®



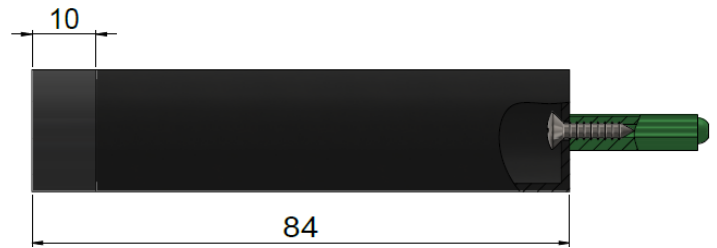
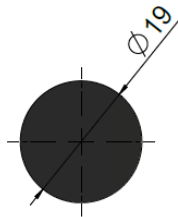
FEATURES

- Refer to the Meir website for warranty terms & conditions, and available finishes.
- Solid DZR brass construction

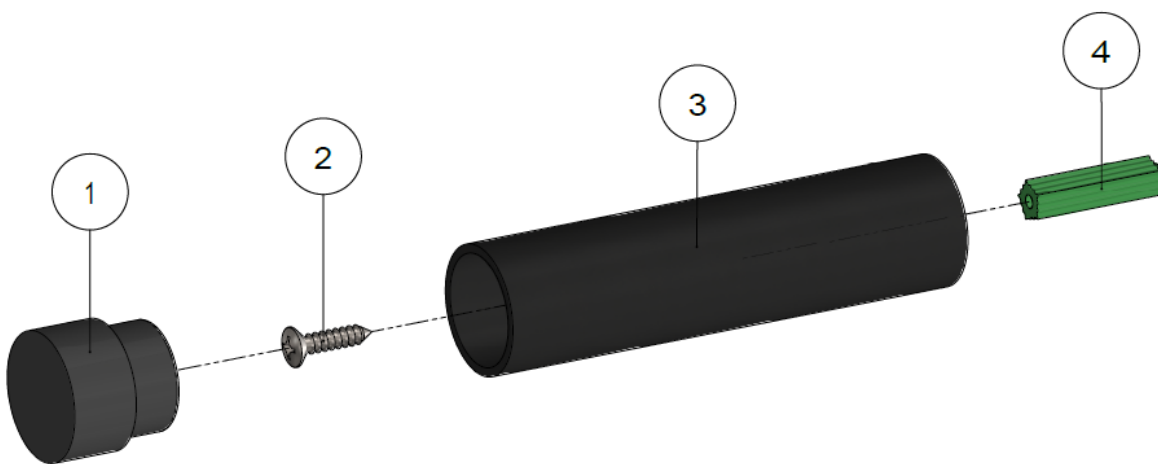
CARE

- Do not install tapware using any form of acetone silicones.
- Do not apply physical items (such as tools) directly to product.
- Never use house-hold or commercial detergents, citrus based cleaners, or abrasive cleaners.
- Clean using a mild washing soap solution rinsed, and dry with a soft cloth.
- Check for any product defects before installation.
- Refer to the installation manual for correct installation.

SPECIFICATIONS



EXPLODED VIEW



No.	Part Name
1	Rubber Stopper
2	Screw
3	Body
4	Nylon Wall Plug