

MP09 ROUND SOAP DISPENSER

meir®



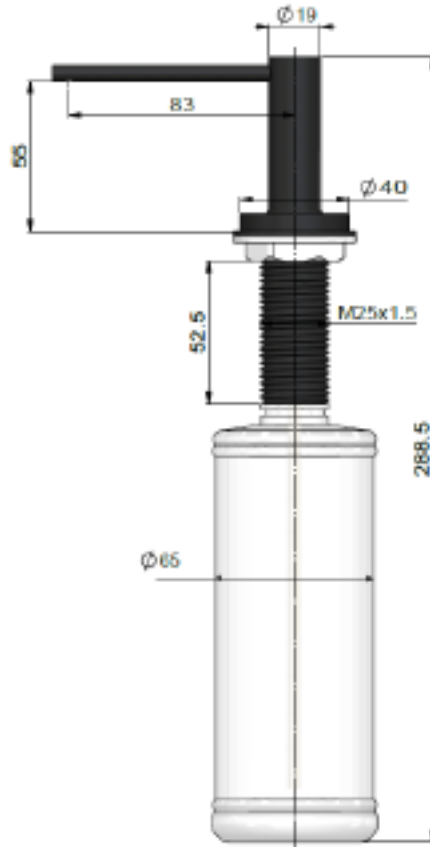
FEATURES

- Refer to the Meir website for warranty terms & conditions, and available finishes.
- Solid stainless steel pump
- Box Weight **0.23 kg**

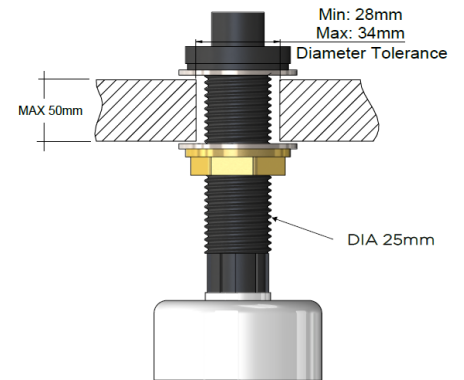
CARE

- Do not install tapware using any form of acetone silicones.
- Do not apply physical items (such as tools) directly to product.
- Never use household or commercial detergents, citrus based cleaners, or abrasive cleaners.
- Clean using a mild washing soap solution rinsed, and dry with a soft cloth.
- Check for any product defects before installation.
- Refer to the installation manual for correct installation.

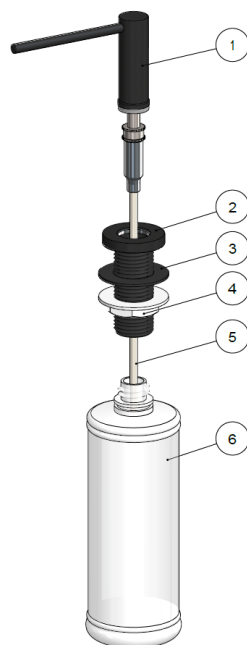
SPECIFICATIONS



TOLERANCES



EXPLODED VIEW



No.	Part Name	Qty.
1	Spout	1
2	Base	1
3	Oring	1
4	Hex Nut	1
5	PE Tube	1
6	Bottle	1