

MS09

SQUARE KITCHEN SPOUT



meir®

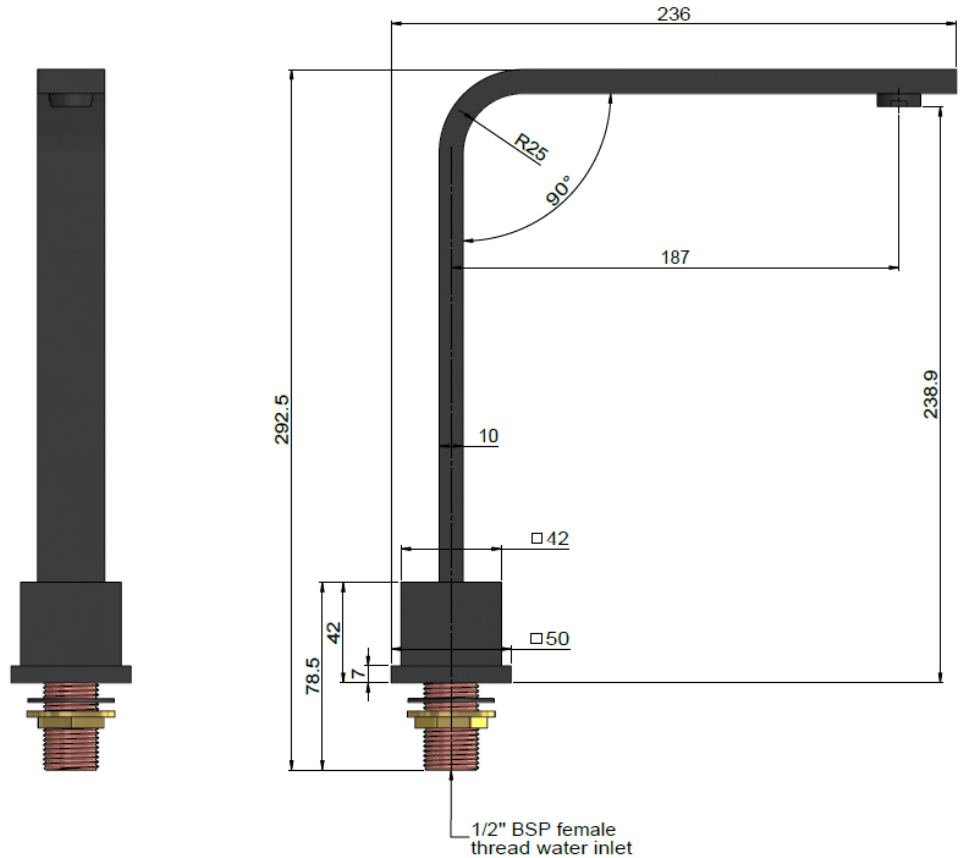
FEATURES

- Refer to the Meir website for warranty terms & conditions, and available finishes.
- Flow rate 15L p/m
- European components and cartridge
- Solid brass construction
- Box Weight 1.7kg
- 68mm long 1/2" threaded adapter included

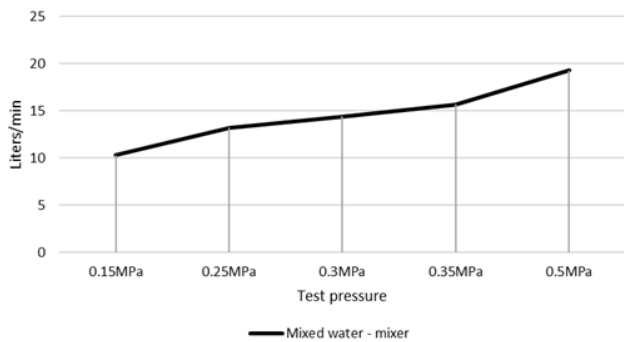
CARE

- Do not install tapware using any form of acetone silicones.
- Do not apply physical items (such as tools) directly to product.
- Never use house-hold or commercial detergents, citrus based cleaners, or abrasive cleaners.
- Clean using a mild washing soap solution rinsed, and dry with a soft cloth.
- Check for any product defects before installation.
- Refer to the installation manual for correct installation.

SPECIFICATIONS



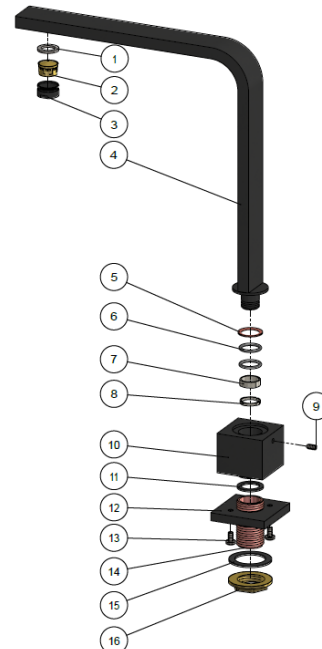
FLOW RATE GRAPH



CREDENTIALS

- Watermark AS/NZS3718WMKA25013

EXPLODED VIEW



No.	PART NAME
1	Flat Rubber
2	Aerator
3	Shell
4	Square Spout
5	Wear Ring
6	O-ring
7	Rubber Sleeve
8	Rubber Sleeve
9	Screw
10	Cover
11	Flat Rubber
12	Plate
13	Screw
14	Threaded Tube
15	1/2 Rubber
16	Plastic Nut