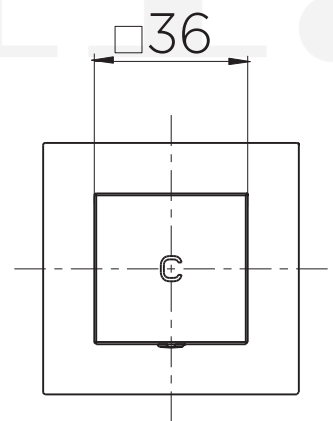
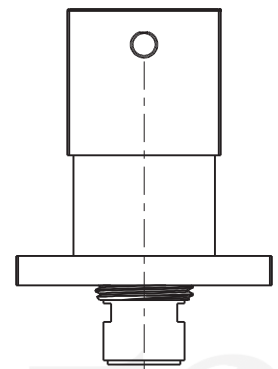


C Cold  
H Hot  
□ Square



Does not include  
concealed/inwall fittings.