

# MB08

## FREE-STANDING BATH MIXER

meir®

### FEATURES

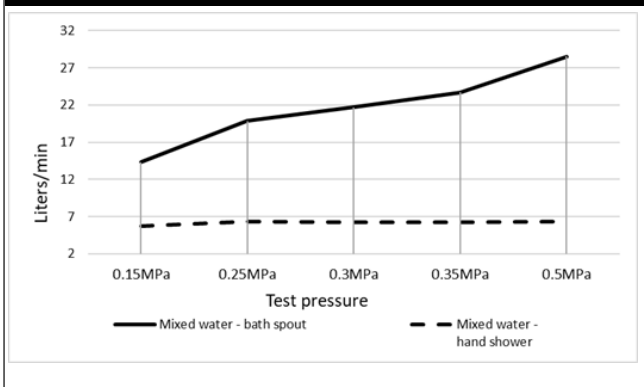
- Refer to the Meir website for warranty terms & conditions, and available finishes.
- Flow rate 22 L p/m at 3 bar pressure.
- European components and cartridge
- Solid brass construction
- Box Weight 7.4 Kg

### CARE

- Do not install tapware using any form of acetone silicones.
- Do not apply physical items (such as tools) directly to product.
- Never use house-hold or commercial detergents, citrus based cleaners, or abrasive cleaners.
- Clean using a mild washing soap solution rinsed, and dry with a soft cloth.
- Check for any product defects before installation.
- Refer to the installation manual for correct installation.



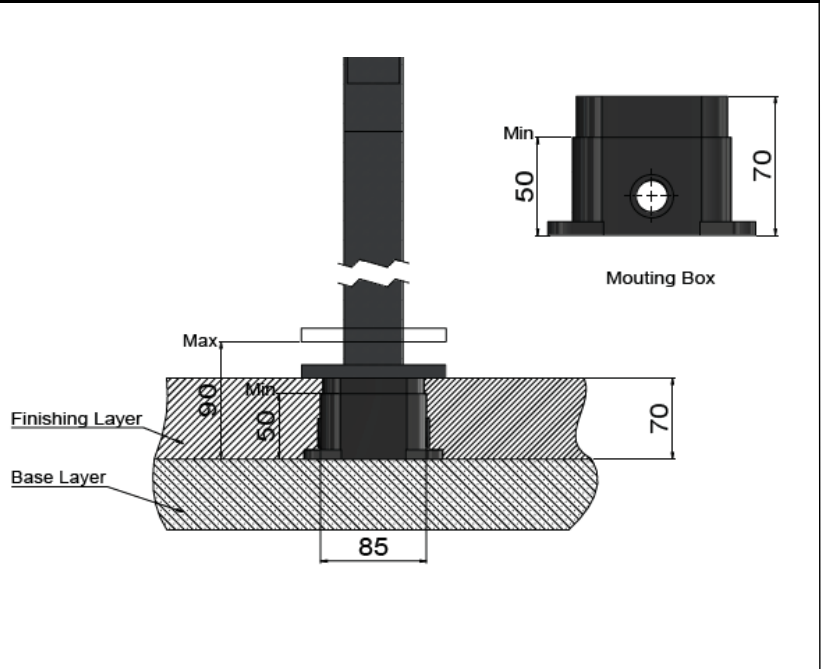
### FLOW RATE GRAPH



### CREDENTIALS

- Watermark AS/NZS3718WMKA25013
- 3-star WELS rated
- 9 litres p/minute
- WELS registration No: S14883

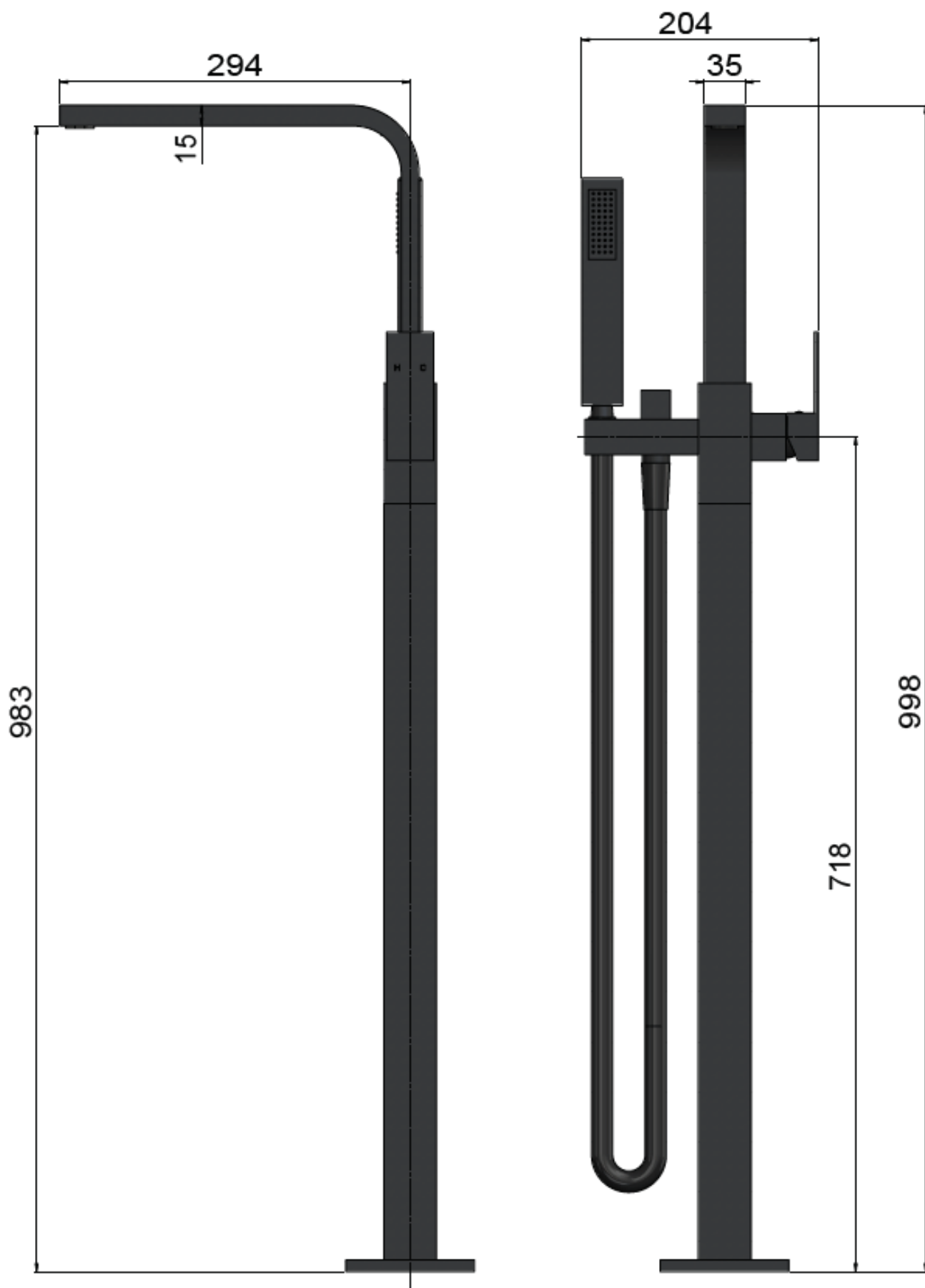
### HC@9F5B79



# MB08

## FREE-STANDING BATH MIXER

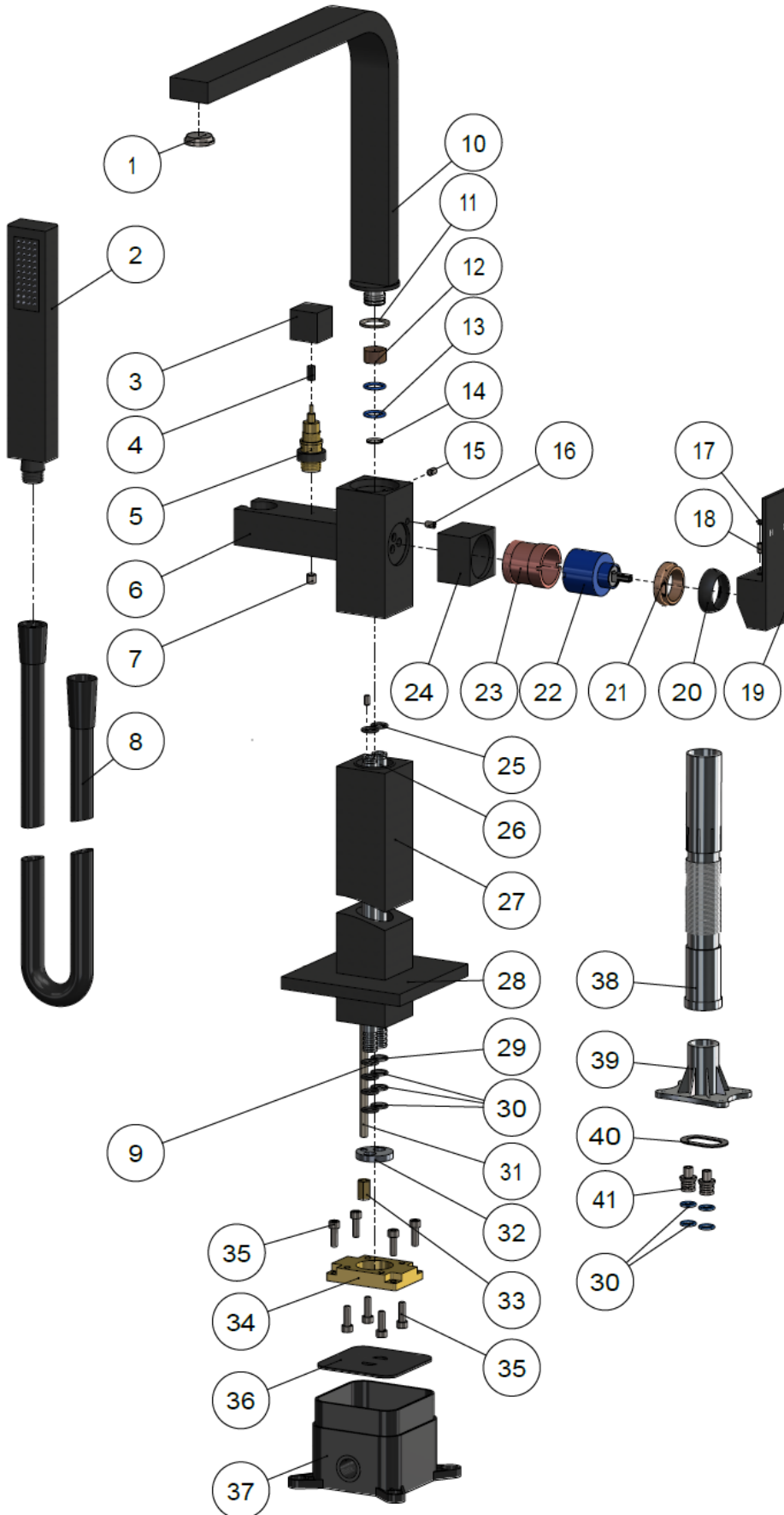
### SPECIFICATIONS



# MB08

## FREE-STANDING BATH MIXER

9LD@C 898 J →K



No.	Part Name
1	Aerator
2	Square Handle Shower
3	Handle
4	Decor Cover
5	Divertor
6	Body
7	Non-return Valve
8	Shower Hose
9	O-ring
10	Spout
11	Wear Resisting Ring
12	Wearing Ring
13	O-ring
14	Rubber Ring
15	Screw
16	Screw
17	Decor Knob
18	Screw
19	Handle
20	Decor Cover
21	Nut
22	D35 Cartridge
23	Copper Sleeve
24	Decor Cover
25	O-ring
26	Connecting Tube
27	Stand Pipe
28	Back Plate
29	O-ring
30	O-ring
31	Connecting Screw Rod
32	Stator
33	Nut
34	Fixed Plate
35	Screw
36	Dustproof Cover
37	Plastic Box
38	Water Pipe
39	Water Test Pipe
40	Rubber Ring
41	Connectors