

Puck Pendant
Assembly Guide



Thank you for choosing In Common With. Please confirm that you received all of the components pictured in this guide, and reach out to us if anything is missing. It's rare, but it happens. We hope you enjoy your fixture. With proper care, it should last a lifetime.

Have questions? Please contact us at support@incommonwith.com.



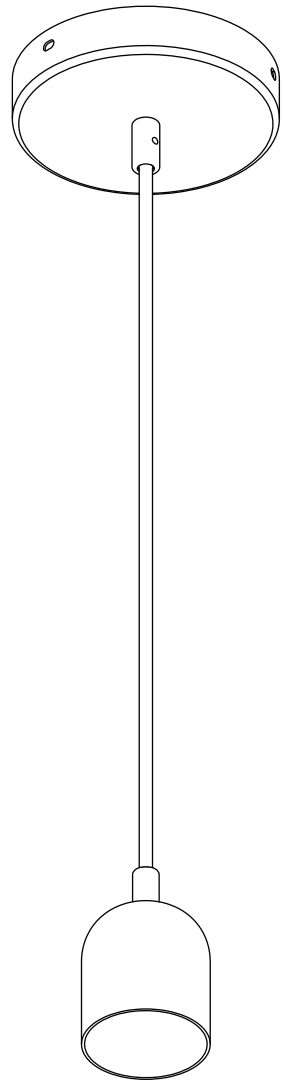
CAUTION!

Electrical shock risk. Turn off electrical power at the main fuse box or circuit panel before beginning installation, servicing the light, or installing accessories. We recommend working with a qualified electrician familiar with the type of work you'd like done.

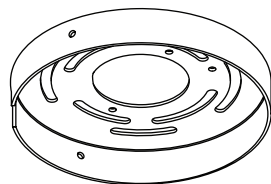
ATTENTION!

Risque de choc électrique. Coupez l'alimentation électrique au niveau de la boîte à fusibles principale ou du panneau de circuits avant de commencer l'installation, l'entretien de la lumière ou l'installation d'accessoires. Nous vous recommandons de travailler avec un électricien qualifié familier avec le type de travail que vous souhaitez effectuer.

*Puck Pendant
Components*



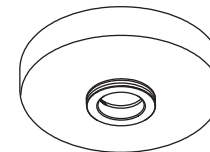
Shell Pendant Assembly



Canopy Backplate



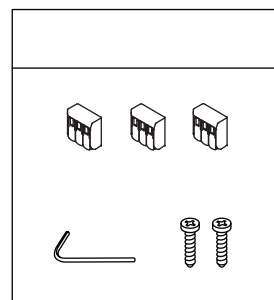
Thumb Screw (3)



Puck A Diffuser

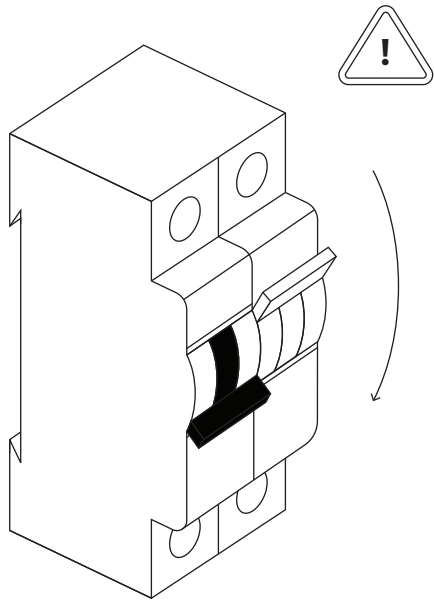


E12 Lightbulb, 4.5W



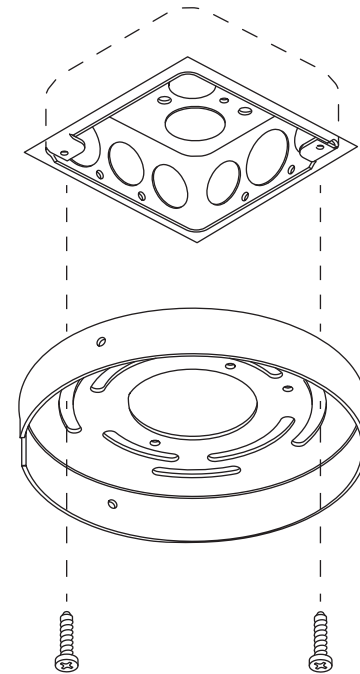
Hardware Pack

Step 1



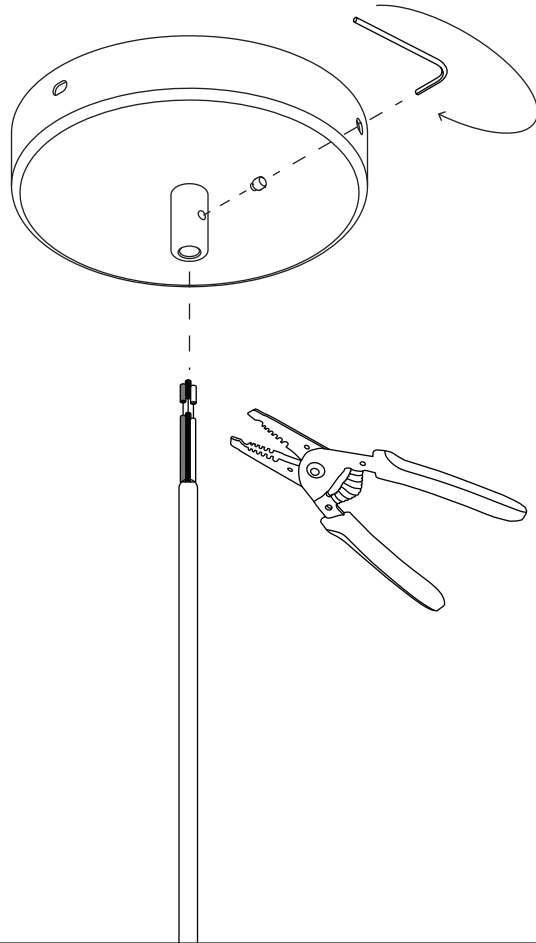
Before beginning installation, turn off electrical power at the main fuse box or circuit panel.

Step 2



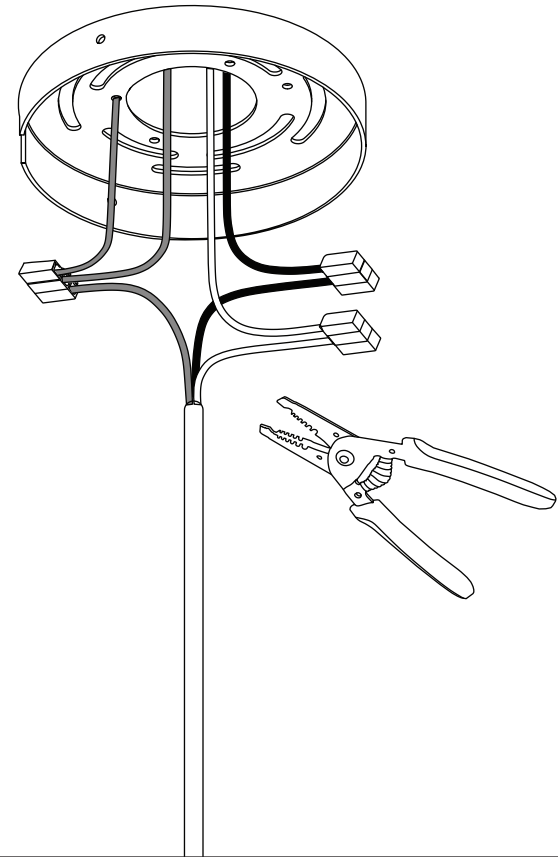
Mount the backplate to the junction box using a phillips head screwdriver to tighten the mounting screws.

Step 3



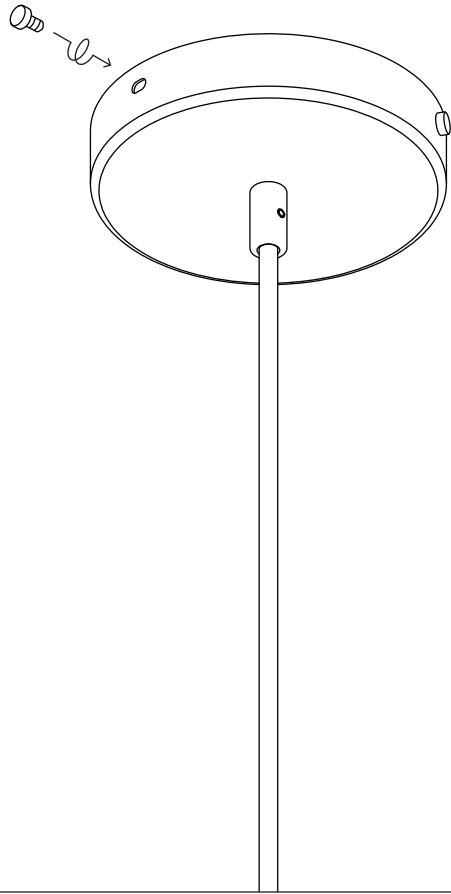
Cut the pendant cord to the desired length using a wire cutter. Then thread the cord through the strain relief attached to the canopy, securing the cord in place by tightening the set screw on the side of the strain relief using the included L-shaped hex key. Please resist the urge to over-tighten; it's not necessary.

Step 4



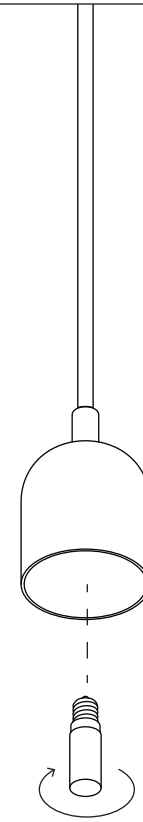
Use the wago clips to connect the fixture's wires to the corresponding wires from the junction box in the wall or ceiling. White is neutral; Black is live; Green/ Yellow is ground. One ground wire will be from the pendant cord, the second wire will be from the canopy backplate, and the third ground wire should come from the junction box. If needed, use a wire stripper to remove 3/8" insulation from each wire before inserting them into the corresponding wago clip.

Step 5



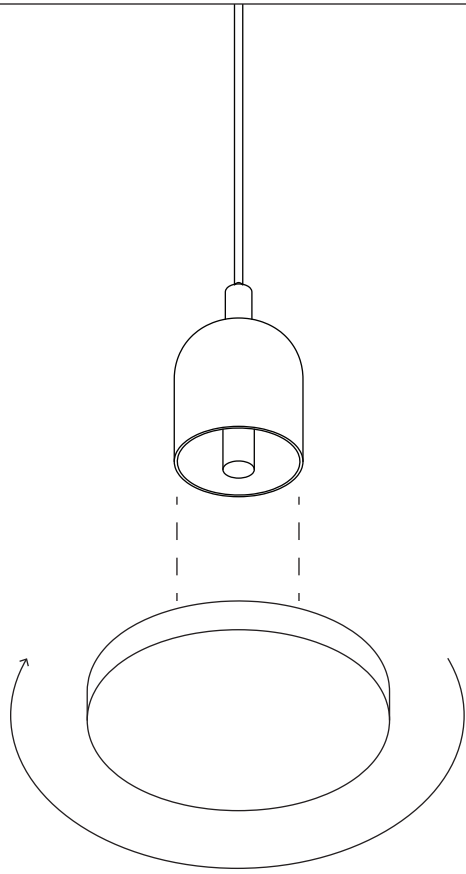
Align the holes of the backplate with the holes of the canopy cover. Secure them in place by twisting the thumbscrews by hand.

Step 6



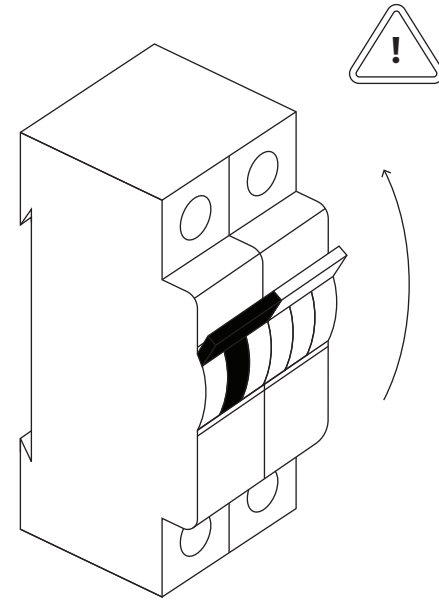
Screw the lightbulb into the pendant.

Step 7



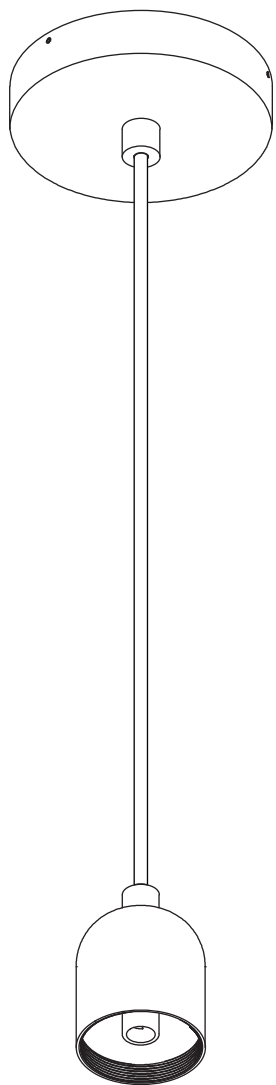
Attach the diffuser to the metal hardware by rotating clockwise until fixed in place. Please refer to the following pages for the Double Puck Pendant, Arundel Orb Pendant, and Arundel Mushroom Pendant.

Step 8

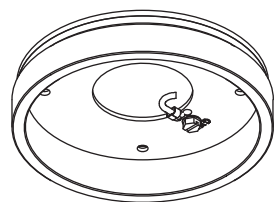


Turn the power back on at the main fuse box or circuit panel you disabled before installation. Turn on the light :)

Puck Pendant, Outdoor Rated
Components



Shell Pendant Assembly,
Outdoor Rated



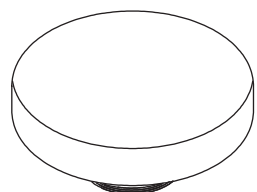
Canopy Backplate,
Outdoor Rated



Canopy Set Screws (3)



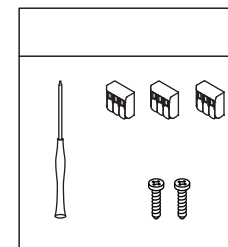
Shade Washer,
Outdoor Rated



Puck Diffuser

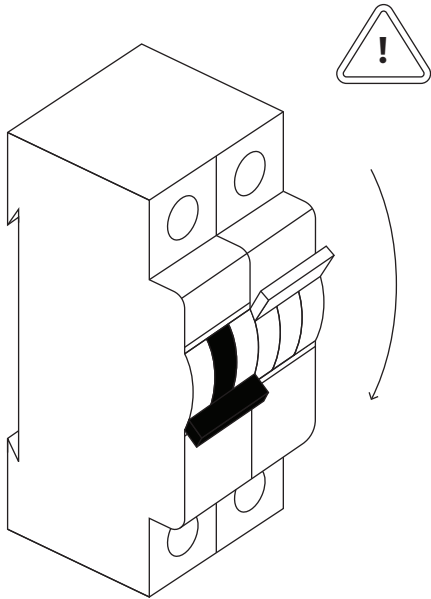


E12 Lightbulb, 5.0W



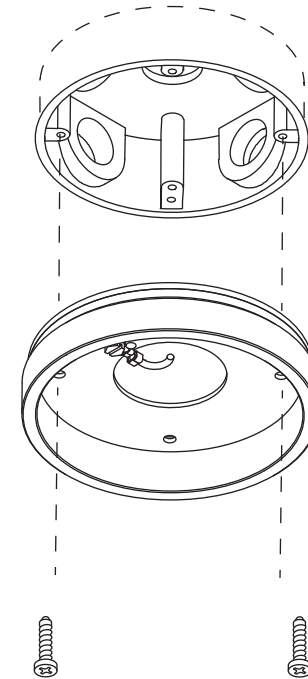
Hardware Pack

Step 1



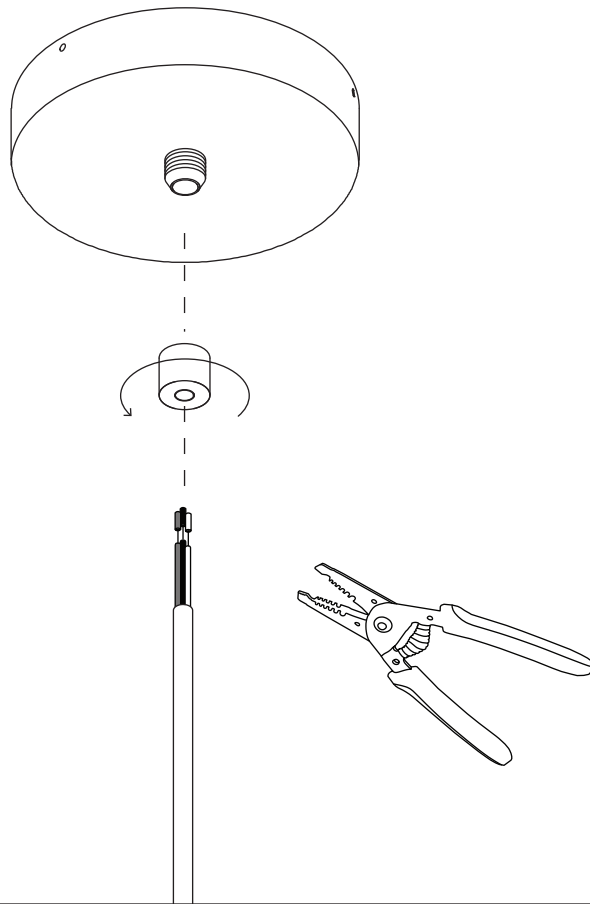
Before beginning installation, turn off electrical power at the main fuse box or circuit panel.

Step 2



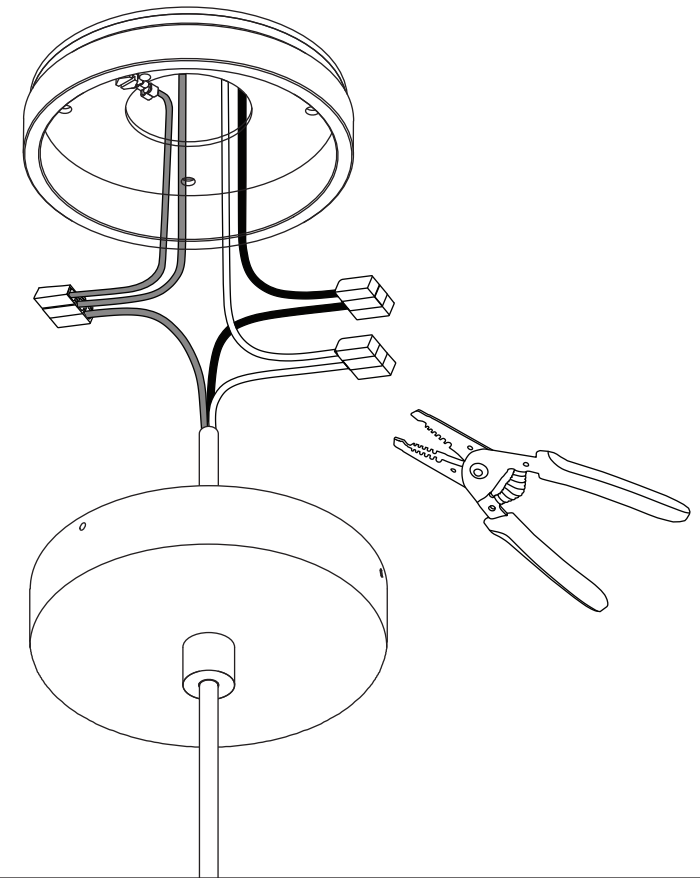
Mount the backplate to the junction box using a phillips head screwdriver to tighten the mounting screws.

Step 3



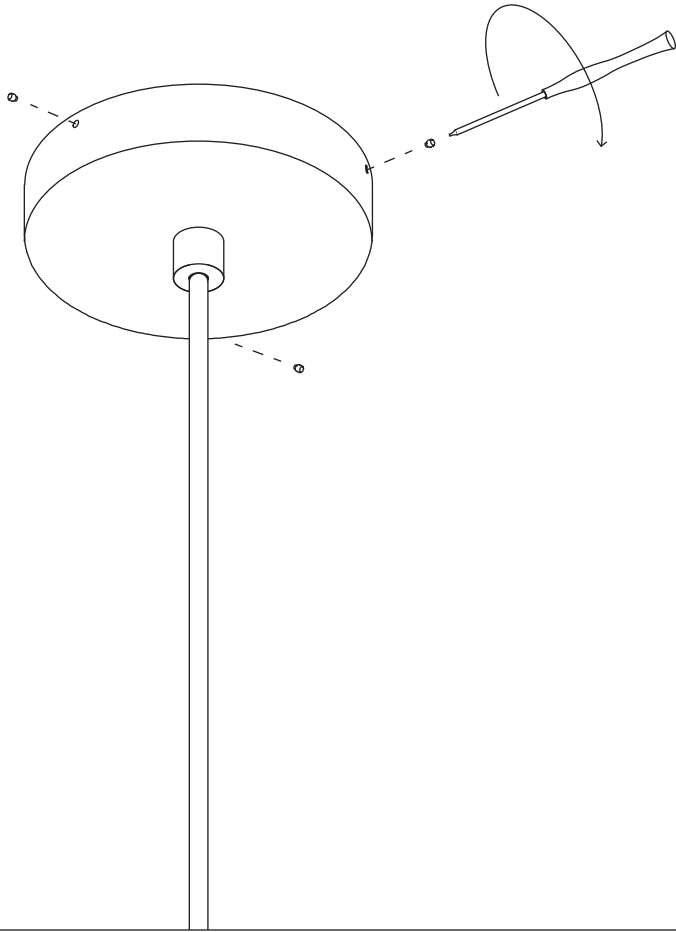
Unscrew the cord cap from the canopy by rotating counter-clockwise. Feed the pendant cord into the cap and through the canopy. Cut the pendant cord to the desired length using a wire cutter. Rotate the cord cap with the cord attached clockwise to secure back onto the canopy.

Step 4



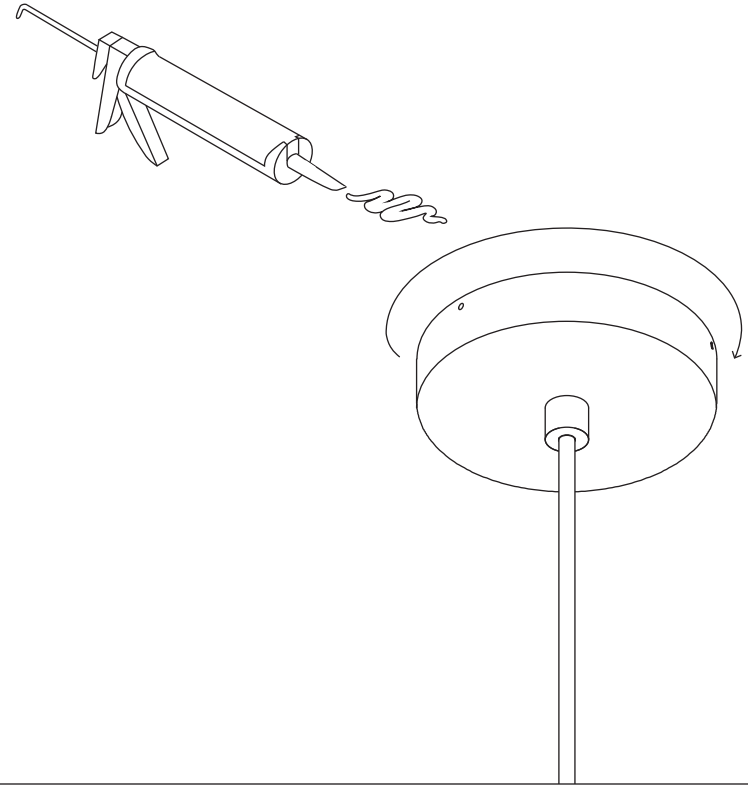
Use the wago clips to connect the fixture's wires to the corresponding wires from the junction box in the wall or ceiling. White is neutral; Black is live; Green/ Yellow is ground. One ground wire will be from the pendant cord, the second wire will be from the canopy backplate, and the third ground wire should come from the junction box. If needed, use a wire stripper to remove 3/8" insulation from each wire before inserting them into the corresponding wago clip.

Step 5



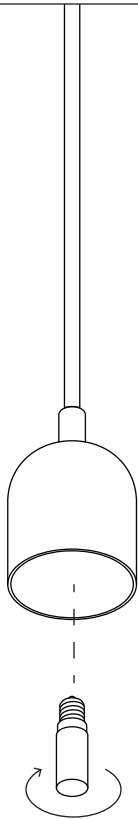
Align the holes of the backplate with the holes of the canopy cover. Secure them in place using the given hex key to twist in the set screws.

Step 6



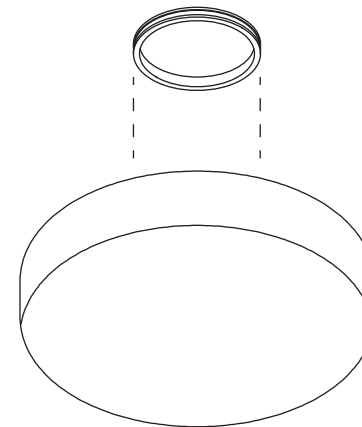
If installing outdoors, carefully apply a bead of silicone caulk between the canopy and the outdoor surface. Smooth the silicone around the light using your finger freshly dipped in a bowl of water

Step 7



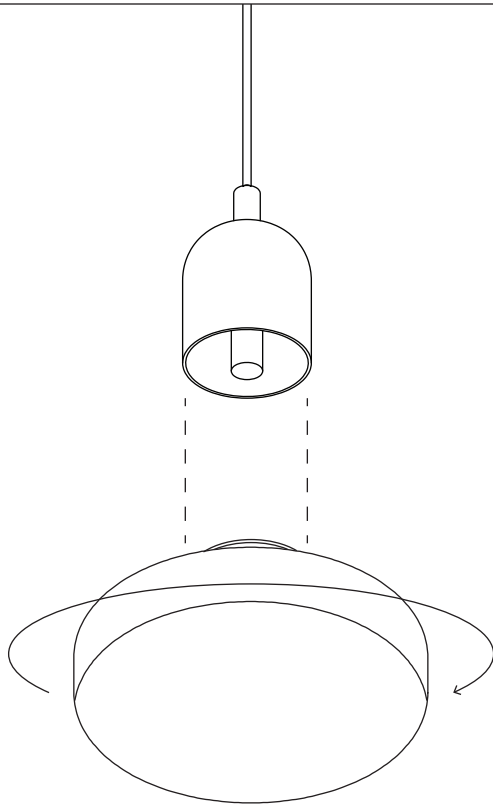
Screw the lightbulb into the pendant.

Step 8



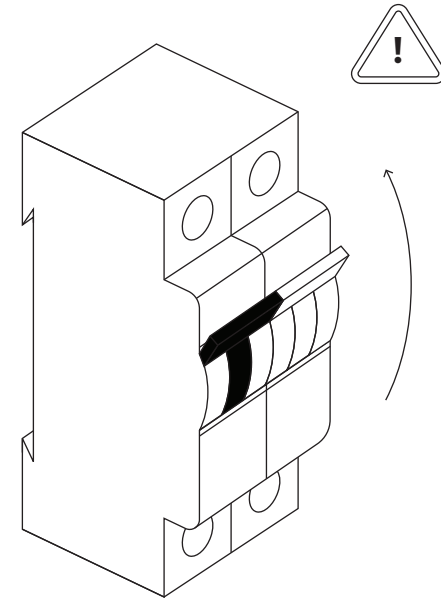
Attach the Shade Washer to the Puck Diffuser by aligning the threads and rotating clockwise until firmly in place to seal the connection.

Step 9



Attach the Shade Washer to the Puck Diffuser by aligning the threads and rotating clockwise until firmly in place to seal the connection.

Step 10



Attach the Shade Washer to the Puck Diffuser by aligning the threads and rotating clockwise until firmly in place to seal the connection.

Care Instructions

Never use scouring pads or abrasive cleaning solutions. If it comes in a bottle, it is bad for your fixture. Instead, we recommend using soft microfiber cloths, which are gentler on our products and the planet.

For Metal: Wipe with a damp or dry microfiber cloth. Please note that our brass is unlaquered, and will darken naturally over time.

For Glass: Wipe clear or colored glass with a damp microfiber cloth. For sandblasted or etched glass, use a dry microfiber cloth. Removable glass shades can be washed carefully in a sink using warm or hot water.

For Ceramic: Wipe with a damp microfiber cloth. Do not submerge in water.

Return Policy

We accept returns for store credit only, minus a 15% restocking fee. We do not accept returns on pieces from the Handmade, Disc, Terra, or Flora series, on the Ceramic or Chromatic Glass Up Down Sconces, or on items that are not in their original condition. Custom and Rush orders are final sale. Please note that shipping charges are non-refundable.

To request a return, email sales@incommonwith.com within ten days of receiving your order. Requests must be approved before a return can be processed. Requests made after ten days will not be accepted.

All products that come in their own box, including but not limited to light bulbs and accessories, must be returned in their original, undamaged box as this is considered part of the product. Once installed, products are no longer eligible for return.

We reserve the right to reject any returned items that do not meet the above requirements. If your return is rejected you will be notified via email.