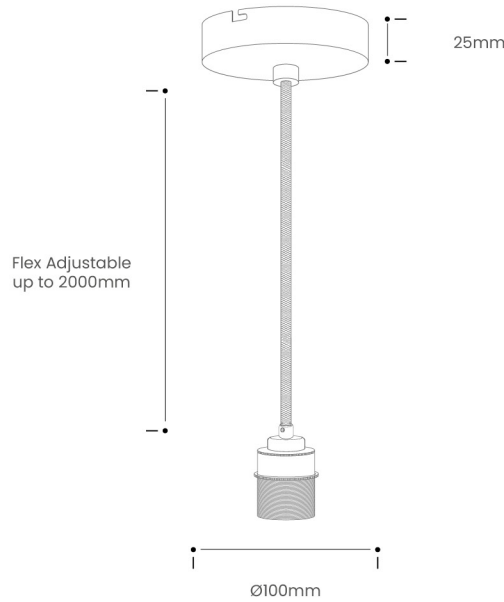


BLACK AND BRASS CEILING KIT

Tom Raffield

Product Specification

Black and Brass Ceiling Kit



Tie your interior scheme together with the help of our black and brass ceiling kits. Featuring reflective brass details, two meters of adjustable, dimmable black corded flex and a matte black ceiling rose, each kit is understated yet eye-catching.

Supplied as a standard option with most of our wooden ceiling lights, our black and brass ceiling kit is also available to purchase as a standalone product to ensure that you're able to curate a look that fits with other lighting styles in your space.

Complete the look, style your way.

Product Type : Ceiling Kit	SKU	Wood types	Dimensions L x W x H (mm)		Weight (kg)	
			Unboxed	Boxed	Unboxed	Boxed
Black and Brass Ceiling Kit	PT-CLR-PS-BL-RRP		25 x 100 x 2000	100 x 100 x 100	0.3	0.4
Materials	Matte black spun metal ceiling rose	Solid brass bulb holder	Other materials			
Finish	Matte black painted finish					
Wiring information	Black ceiling rose and brass bulb holder	Ceiling kit Ceiling rose: Ø100mm E27 (240v)	Flex Flex colour: black fabric Flex length: 2m (Adjustable)	Recommended light bulb Max 25W LED		
Care information	Dusting your light regularly and with a light feather duster should keep your light looking clean, otherwise wipe with a damp cloth and remove any moisture with a dry cloth. Gentle furniture polishes can also be used.					
Additional information	<ul style="list-style-type: none"> This ceiling kit can be used with your existing E27 lamp shade. Suitable for use on 240v and 110v circuits. Installation instructions included. 					

Tom Raffield Ltd, F3 Church View Business Park, Bickland Water Rd, Falmouth TR11 4FZ, UK
 tomraffield.com contact@tomraffield.com +44 (0) 1326 722725 #tomraffield @tomraffield

Due to the character of handcrafted natural products, all dimensions are approximate. Wood colour may slightly vary.
 All products, prices and leadtimes are correct at time of print and are subject to change without notice.