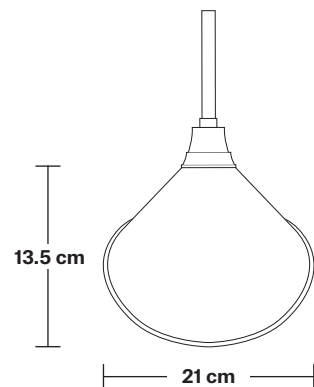
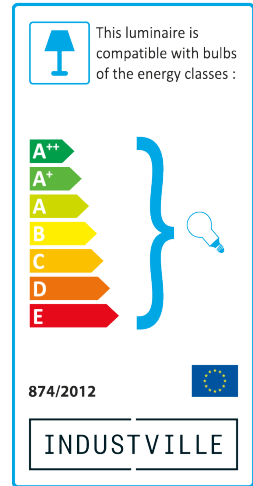
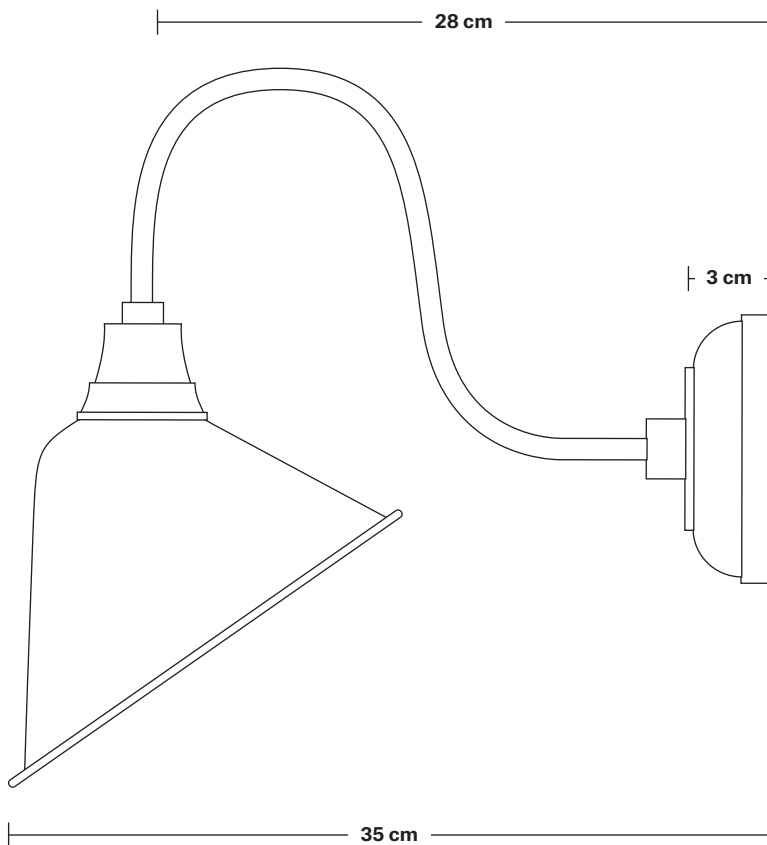


# Swan Neck Cone Wall Light - 8 Inch

Product Code: SN-CWL8

H: 32 cm x W: 21 cm x D: 35 cm



## SPECIFICATIONS

We meet all UK and EU lighting and safety regulations.

Our products are hand finished to ensure an authentic vintage look and therefore they may vary slightly from those shown in the images.

**Bulb required:** Standard screw (E27) fitting, max 40W.

**Shade weight:** 0.25 kg | **Holder weight:** 0.6 kg

**Maximum weight:** 0.85 kg

## INFORMATION

**Finishes:** Brass and Pewter.

Ready to be installed, installation required.

Wall mount screws not included.

**Holders available:** Brass and Pewter.

**Wall Mount:** Pewter.

## DIMENSIONS

Shade Diameter: 21 cm / 8.2"

Shade Height (no holder): 13.5 cm / 5.3"

Holder Depth: 6 cm / 2.3"

Holder Height: 25 cm / 10"

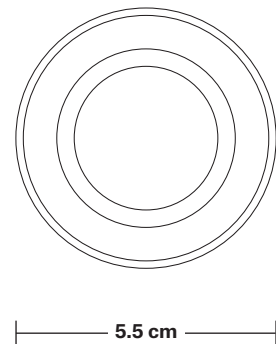
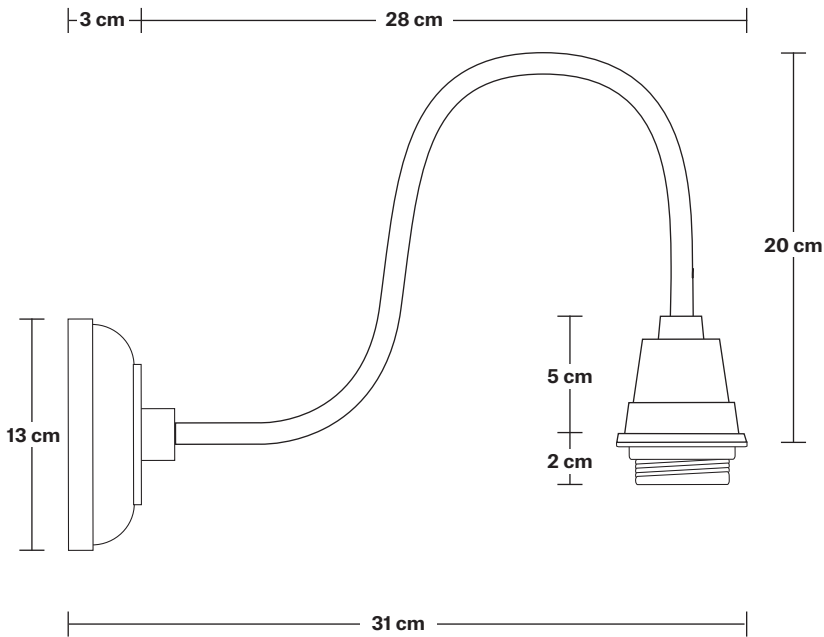
Ceiling Rose Diameter: 13 cm / 5.1"

Ceiling Rose Height: 3 cm / 1.2"

# Swan Neck Angled Wall Holder

Product Code: SN-AWL

H: 27 cm x W: 13 cm x D: 31 cm



## SPECIFICATIONS

We meet all UK and EU lighting and safety regulations.

Our products are hand finished to ensure an authentic vintage look and therefore they may vary slightly from those shown in the images.

**Bulb required:** Standard screw (E27) fitting, max 40W.

**Weight:** 0.6 kg

## INFORMATION

**Finishes:** Brass, Pewter.

Ready to be installed, installation required.

Wall mount screws not included.

**Wall mount rose:** Brass, Pewter.

## DIMENSIONS

Holder Diameter: 5.5 cm / 2.1"

Holder Height: 22 cm / 8.6"

Projection: 27 cm / 10.6"

Wall Rose Diameter: 13 cm / 5.1"

Wall Rose Depth: 3 cm / 1.2"

INDUSTVILLE

# Swan Neck Cone Wall Light - 8 Inch - Pewter

---

## Shade Only

---

Cone - 8 Inch - Pewter - Shade Only

**C8-P-SO**

---

## Swan Neck Round Wall Light - 11 Inch - Pewter

---

Swan Neck Round Wall Light - 11 Inch - Pewter

**SN-RWL11-P**

---