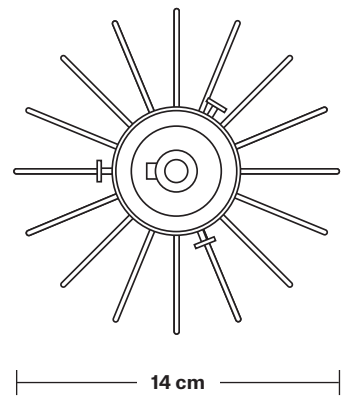
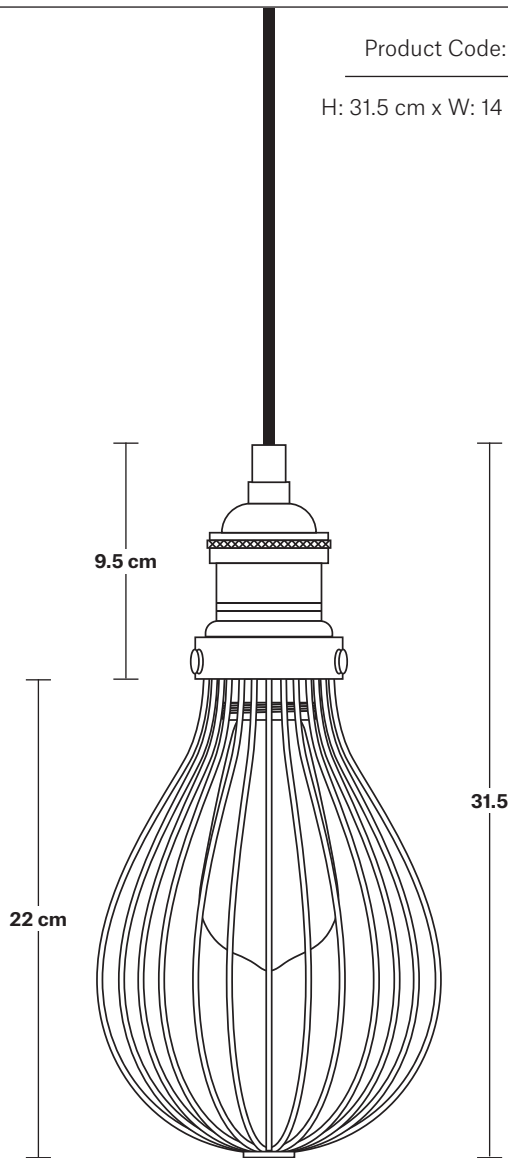


Brooklyn Balloon Cage Pendant - 6 Inch

Product Code:BR-BCP6

H: 31.5 cm x W: 14 cm x D: 14 cm



SPECIFICATIONS

We meet all UK and EU lighting and safety regulations.

Our products are hand finished to ensure an authentic vintage look and therefore they may vary slightly from those shown in the images.

Bulb required: Standard screw (E27) fitting, max 40W.

Shade weight: 0.25 kg | **Holder weight:** 0.5 kg

Maximum weight: 0.75 kg

INFORMATION

Finishes: Pewter and Copper.

Ready to be installed, installation required.

Wall mount screws not included.

Holders available: Brass, Pewter and Copper.

Flex: 1m Black Round Fabric Flex.

Ceiling rose: Pewter.

DIMENSIONS

Shade Diameter: 14 cm / 5.5"

Shade Height (no holder): 22 cm / 8.6"

Holder Diameter: 6 cm / 2.5"

Holder Height: 11 cm / 4.3"

Ceiling Rose Diameter: 12 cm / 4.9"

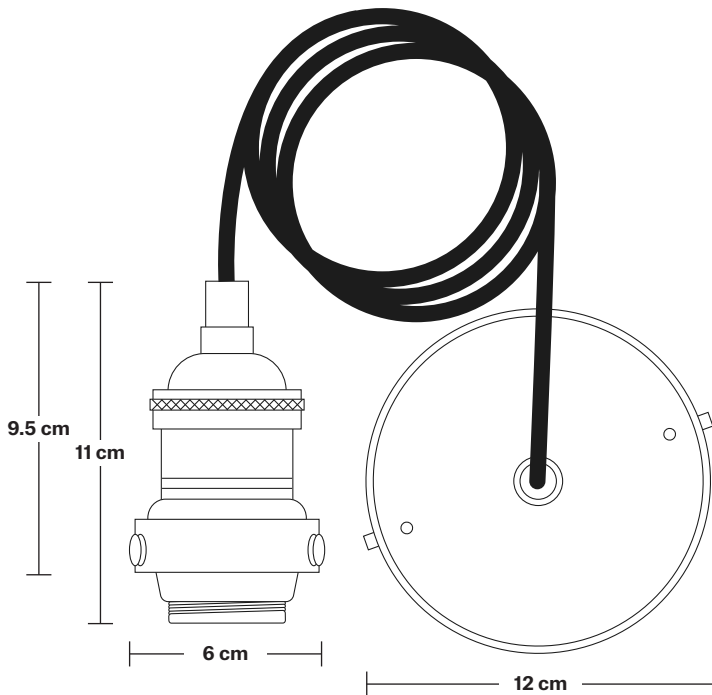
Ceiling Rose Height: 2 cm / 0.8"

INDUSTVILLE

Brooklyn Cord Set ES E27 Bulb Holder

Product Code: BR-CS

H: 113 cm x W: 12 cm x D: 12 cm



SPECIFICATIONS

We meet all UK and EU lighting and safety regulations.

Our products are hand finished to ensure an authentic vintage look and therefore they may vary slightly from those shown in the images.

Bulb required: Standard screw (E27) fitting, max 40W.

Weight: 0.5 kg

INFORMATION

Finishes: Brass, Pewter and Copper.

Ready to be installed, installation required.

Wall mount screws not included.

Flex: 1m Black Round Fabric Flex.

Ceiling rose: Pewter.

DIMENSIONS

Bulb Holder Diameter: 6 cm / 2.5"

Bulb Holder Height: 11 cm / 4.3"

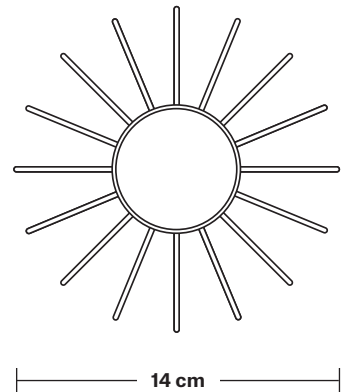
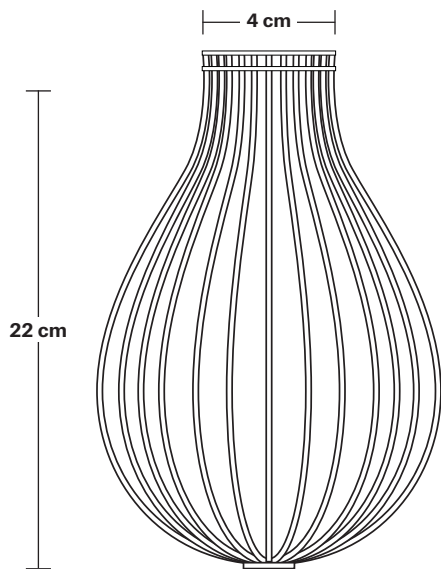
Ceiling Rose height: 12 cm / 4.9"

Full Drop: 113 cm / 44.5"

Balloon Cage - 6 Inch - Shade Only

Product Code:BC6-SO

H: 22 cm x W: 14 cm x D: 14 cm



SPECIFICATIONS

We meet all UK and EU lighting and safety regulations.

Our products are hand finished to ensure an authentic vintage look and therefore they may vary slightly from those shown in the images.

Bulb required: Standard screw (E27) fitting, max 40W.

Shade weight: 0.25 kg

INFORMATION

Finishes: Pewter and Copper.

Ready to be installed, installation required.

Wall mount screws not included.

DIMENSIONS

Shade Diameter: 14 cm / 5.5"

Shade Height (no holder): 22 cm / 8.6"

Balloon Cage - 6 Inch - Copper

Shade Only

Balloon Cage - 6 Inch - Copper - Shade Only

BC6-C-SO

Brooklyn Balloon Cage Pendant - 6 Inch - Copper

Brooklyn Balloon Cage Pendant - 6 Inch - Copper - Pewter Holder

BR-BCP6-C-PH

Brooklyn Balloon Cage Pendant - 6 Inch - Copper - Copper Holder

BR-BCP6-C-CH

Brooklyn Balloon Cage Flush Mount - 6 Inch - Copper

Brooklyn Balloon Cage Flush Mount - 6 Inch - Copper - Pewter Holder

BR-BCFM6-C-PH

Brooklyn Balloon Cage Flush Mount - 6 Inch - Copper - Copper Holder

BR-BCFM6-C-CH

Brooklyn Balloon Cage Wall Light - 6 Inch - Copper

Brooklyn Balloon Cage Wall Light - 6 Inch - Copper - Pewter Holder

BR-BCWL6-C-PH

Brooklyn Balloon Cage Wall Light - 6 Inch - Copper - Copper Holder

BR-BCWL6-C-CH
