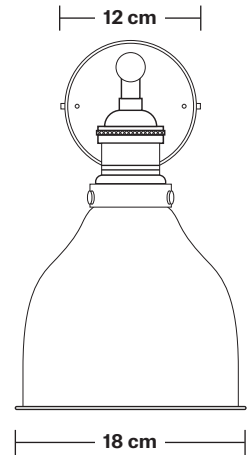
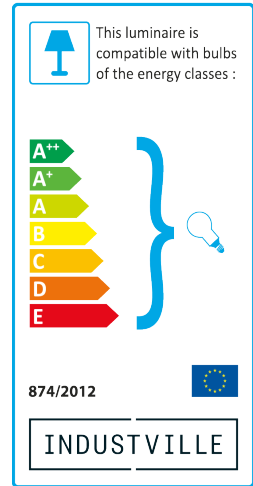
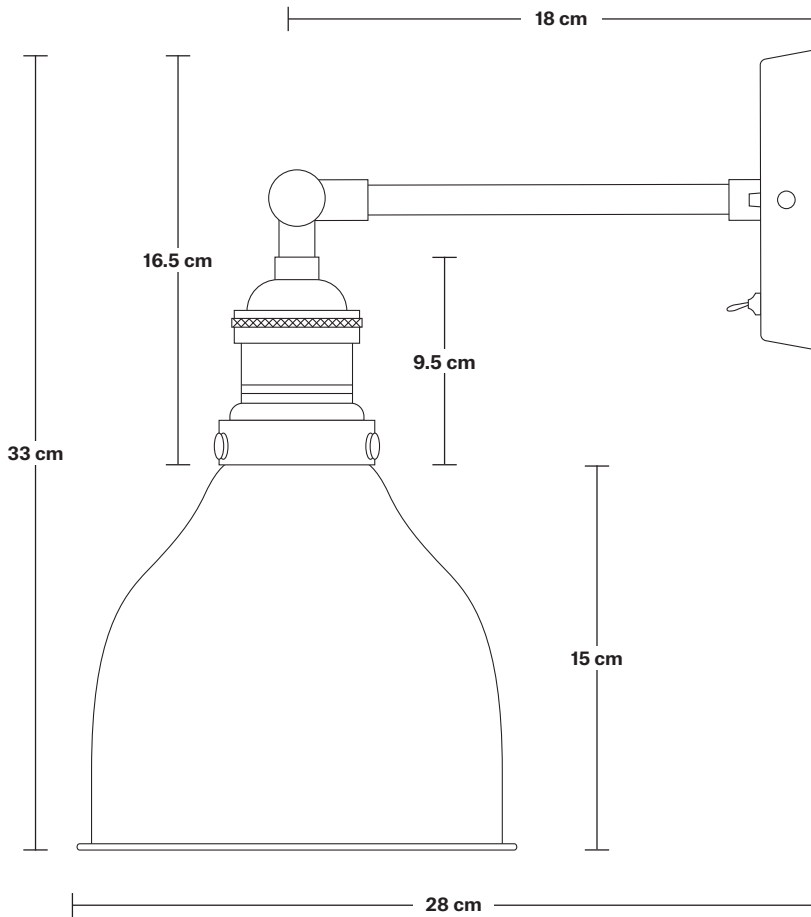


# Brooklyn Cone Wall Light - 7 Inch

Product Code: BR-CWL7

H: 31.5 cm x W: 18 cm x D: 28 cm



## SPECIFICATIONS

We meet all UK and EU lighting and safety regulations.

Our products are hand finished to ensure an authentic vintage look and therefore they may vary slightly from those shown in the images.

**Bulb required:** Standard screw (E27) fitting, max 40W.

**Shade weight:** 0.35 kg | **Holder weight:** 0.6 kg

**Maximum weight:** 0.95 kg

## INFORMATION

**Finishes:** Brass, Pewter and Copper.

Ready to be installed, installation required.

Wall mount screws not included.

The lights can be operated by both the flick switch or the main switch.

**Holders available:** Brass, Pewter and Copper.

## DIMENSIONS

Shade Diameter: 18 cm / 7"

Shade Height (no holder): 15 cm / 6.1"

Holder Diameter: 6 cm / 2.5"

Holder Height: 18 cm / 7.1"

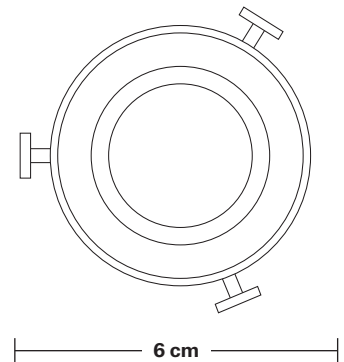
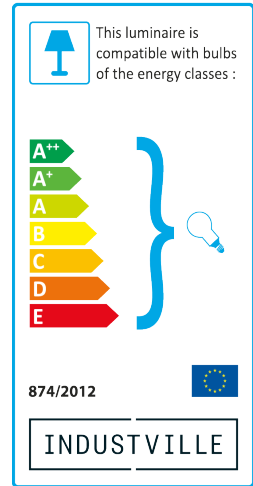
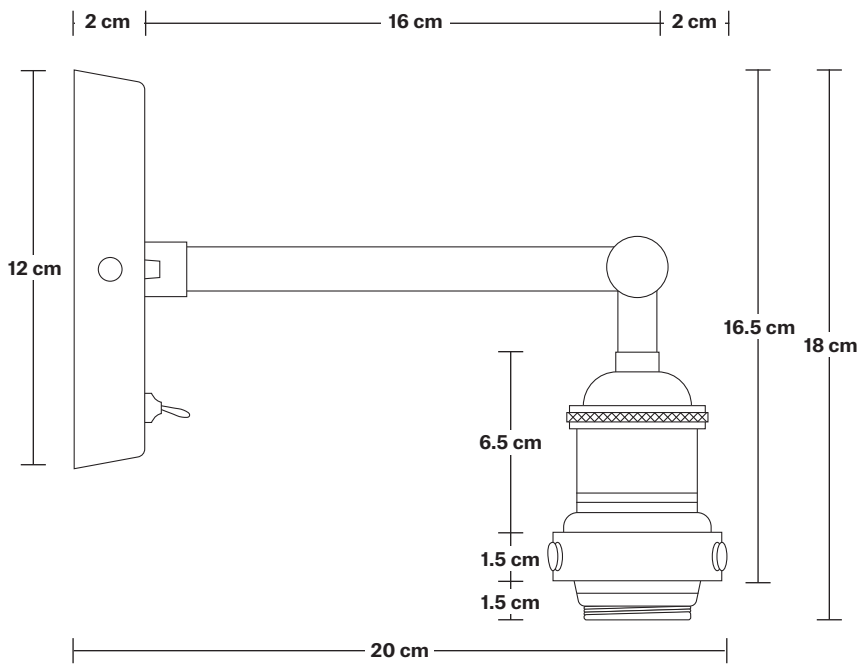
Wall Rose Diameter: 12 cm / 4.9"

Wall Rose Height: 2 cm / 0.8"

# Brooklyn Wall Light Holder

Product Code: BR-WL

H: 18 cm x W: 12 cm x D: 20 cm



## SPECIFICATIONS

We meet all UK and EU lighting and safety regulations.

Our products are hand finished to ensure an authentic vintage look and therefore they may vary slightly from those shown in the images.

**Bulb required:** Standard screw (E27) fitting, max 40W.

**Weight:** 0.6 kg

## INFORMATION

**Finishes:** Brass, Pewter and Copper.

Ready to be installed, installation required.

Wall mount screws not included.

**Wall mount rose:** Pewter.

## DIMENSIONS

Holder Diameter: 6 cm / 2.5"

Holder Height: 18 cm / 7.1"

Projection: 20 cm / 7.9"

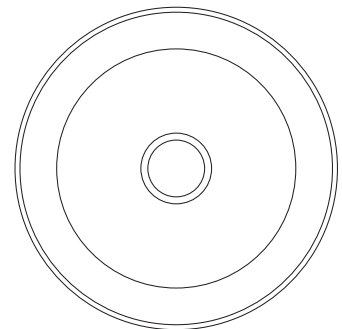
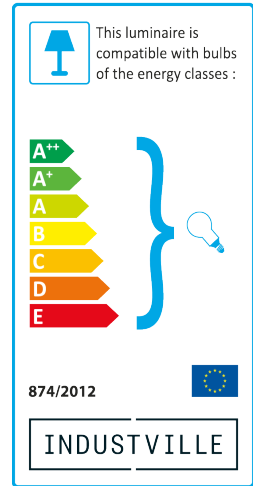
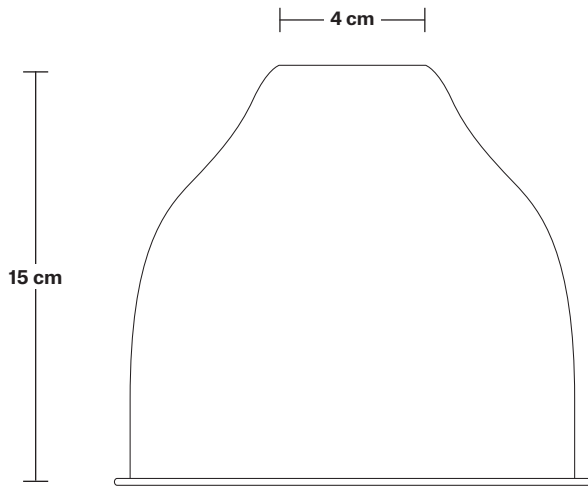
Ceiling Rose Diameter: 12 cm / 4.9"

Ceiling Rose Depth: 2 cm / 0.8"

# Cone Shade - 7 Inch - Shade Only

Product Code: C7-SO

H: 15 cm x W: 18 cm x D: 18 cm



18 cm

## SPECIFICATIONS

We meet all UK and EU lighting and safety regulations.

Our products are hand finished to ensure an authentic vintage look and therefore they may vary slightly from those shown in the images.

**Bulb required:** Standard screw (E27) fitting, max 40W.

**Shade weight:** 0.35 kg

## INFORMATION

**Finishes:** Brass, Pewter and Copper.

Ready to be installed, installation required.

Wall mount screws not included.

## DIMENSIONS

Shade Diameter: 18 cm / 7"

Shade Height (no holder): 15 cm / 6.1"

# Cone - 7 Inch - Copper

---

**Shade Only**

---

Cone - 7 Inch - Copper - Shade Only

**C7-C-SO**

---

**Brooklyn Cone Pendant - 7 Inch - Copper**

---

Brooklyn Cone Pendant - 7 Inch - Copper - Pewter Holder

**BR-CP7-C-PH**

---

Brooklyn Cone Pendant - 7 Inch - Copper - Copper Holder

**BR-CP7-C-CH**

---

**Brooklyn Cone Flush Mount - 7 Inch - Copper**

---

Brooklyn Cone Flush Mount - 7 Inch - Copper- Pewter Holder

**BR-CFM7-C-PH**

---

Brooklyn Cone Flush Mount - 7 Inch - Copper- Copper Holder

**BR-CFM7-C-CH**

---

**Brooklyn Cone Wall Light - 7 Inch - Copper**

---

Brooklyn Cone Wall Light - 7 Inch - Copper- Pewter Holder

**BR-CWL7-C-PH**

---

Brooklyn Cone Wall Light - 7 Inch - Copper- Copper Holder

**BR-CWL7-C-CH**

---

**Sleek Cone Pendant - 7 Inch - Copper**

---

Sleek Cone Pendant - 7 Inch - Copper - Pewter Holder

**SL-CP7-C-PH**

---

Sleek Cone Pendant - 7 Inch - Copper - Copper Holder

**SL-CP7-C-CH**

---