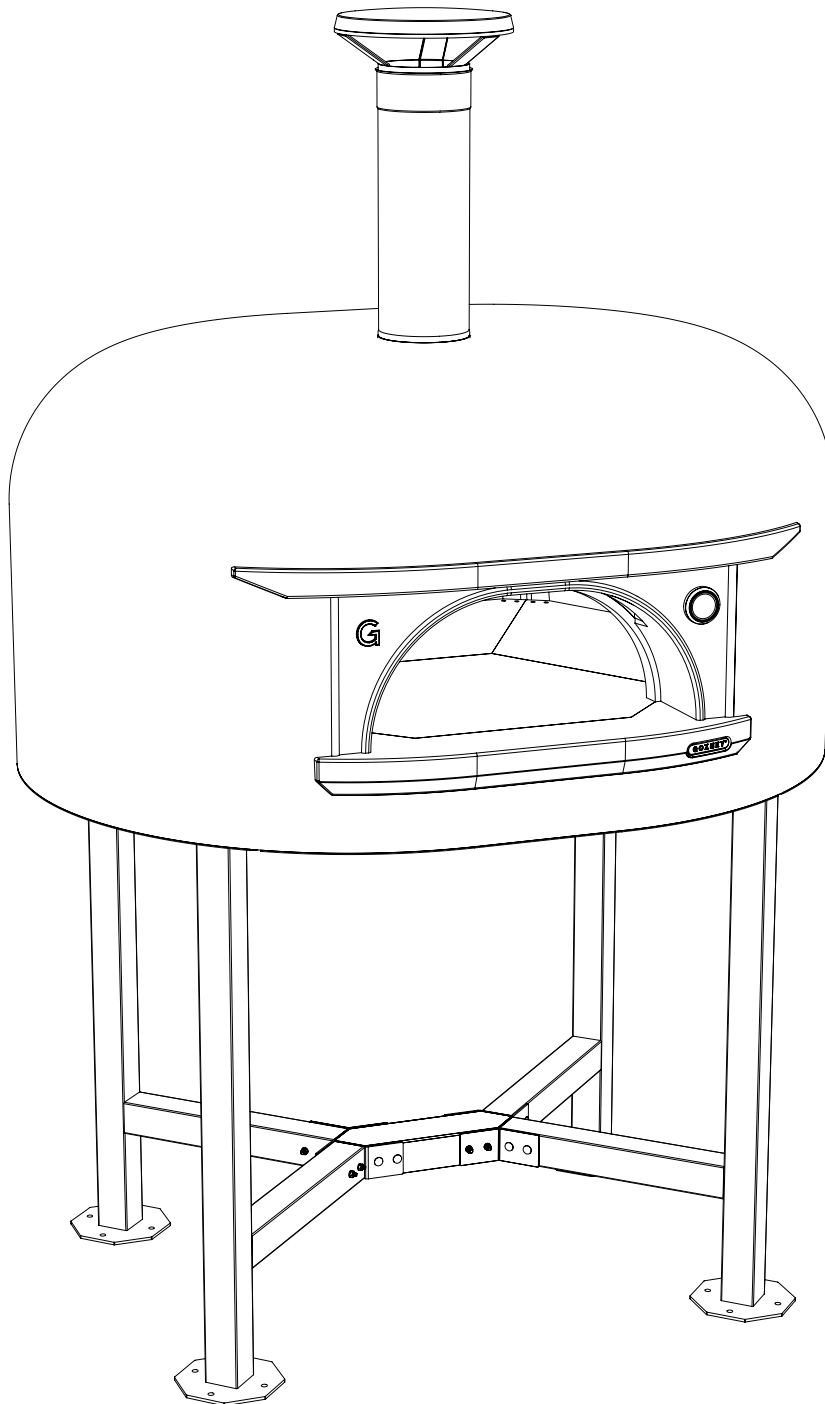


SPECIFICATION SHEET

BLACK EDITION 125 X 100



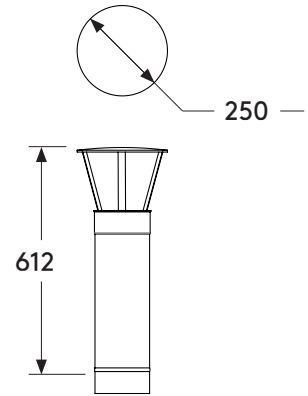
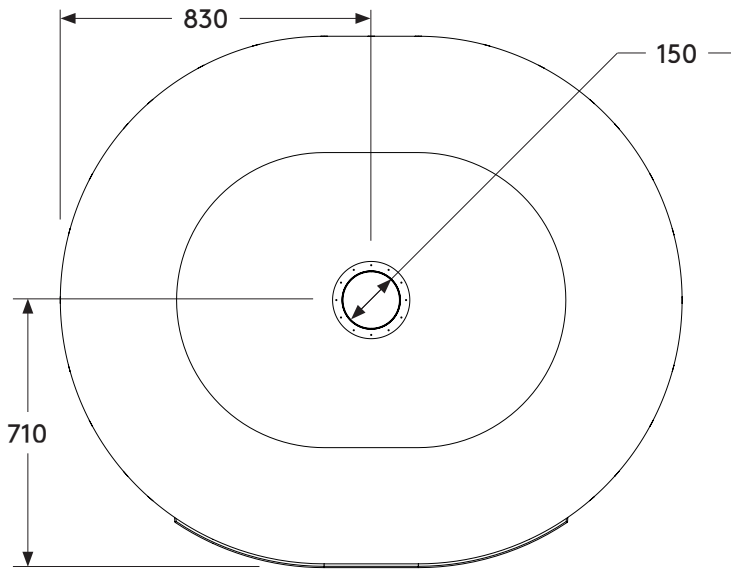
MASTER SERIES

BLACK EDITION 125 X 100

PRODUCT SPECIFICATION

Internal oven dimensions	Width 1250mm x Depth 1000mm x Height 380mm
Pizza capacity	6 x 12" Pizzas
Door size	Width 624mm x Height 224mm
Oven weight	1000Kg
Oven wall thickness	75mm
Clearance	Sides: 50mm Front: 1000mm Top: 350mm
Extraction	150mm Flue Spigot
Extraction flow rate	425CFM

All dimensions in mm



Flue pipe and rain cap.

