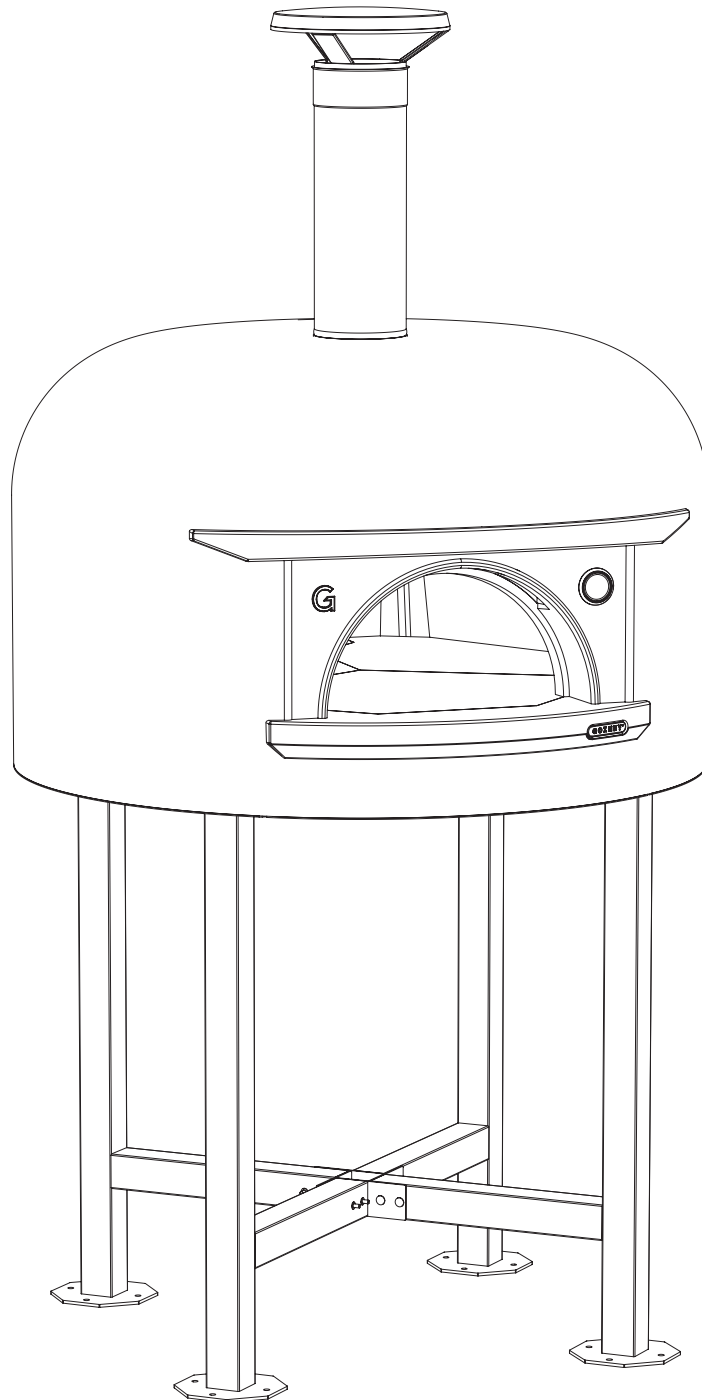


SPECIFICATION SHEET

GOZNEY MASTER 75 X 75



FREE-STANDING

GOZNEY MASTER 75 X 75

PRODUCT SPECIFICATION

Internal oven dimensions	Width 750mm x Depth 750mm x Height 350mm
Pizza capacity	3 x 12" Pizzas
Door size	Width 410mm x Height 205mm
Oven weight (with render)	430kg
Oven weight (without render)	397kg
Render surface area	3m ²
Floor loading (with render)	4,550kg/m ²
Oven wall thickness	65mm
Clearance	Sides: 50mm Front: 1000mm Top: 350mm
Extraction	150mm Flue Spigot
Extraction flow rate	300CFM

All dimensions in mm

