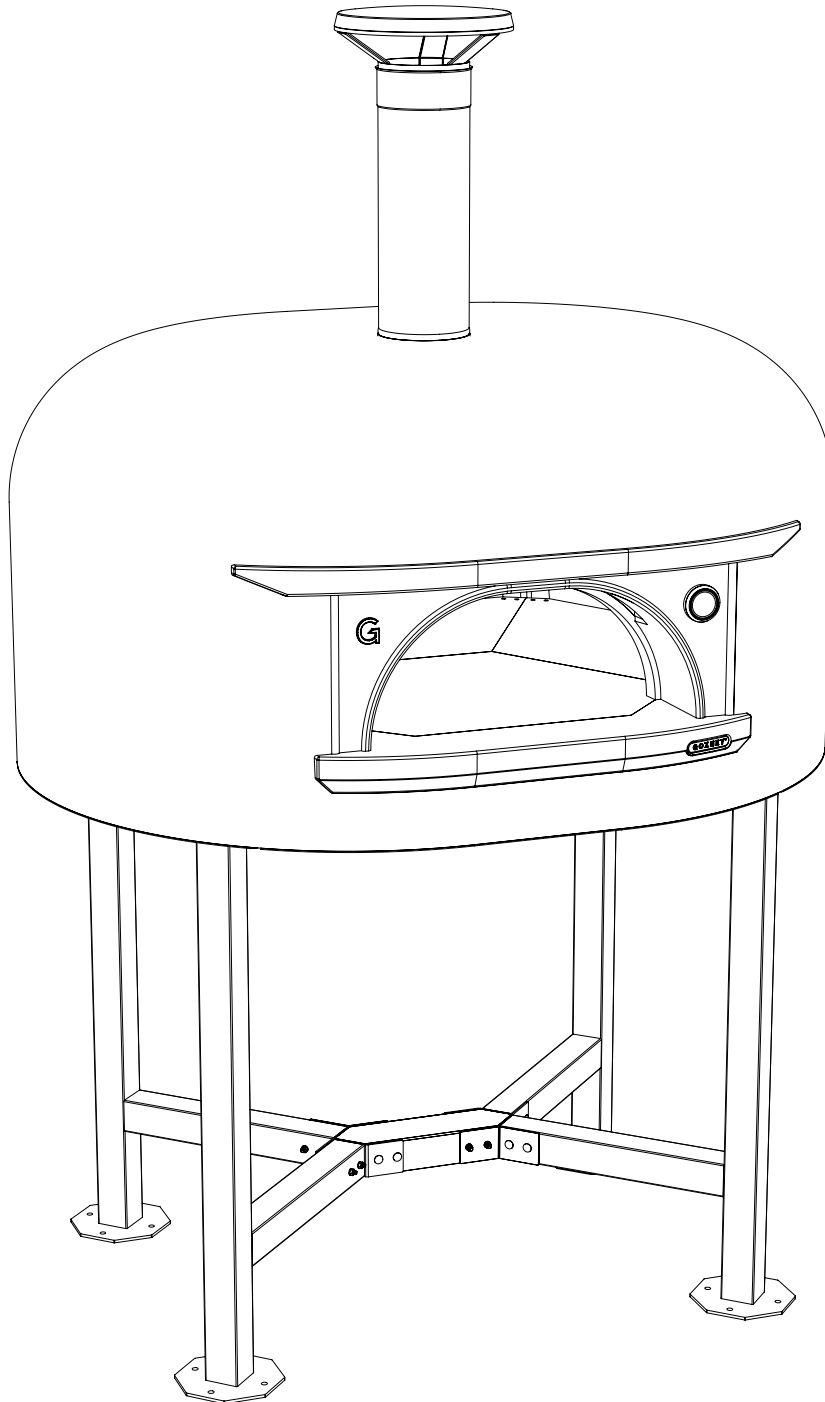


SPECIFICATION SHEET

GOZNEY MASTER 100 X 75

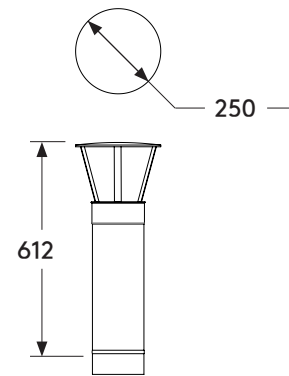
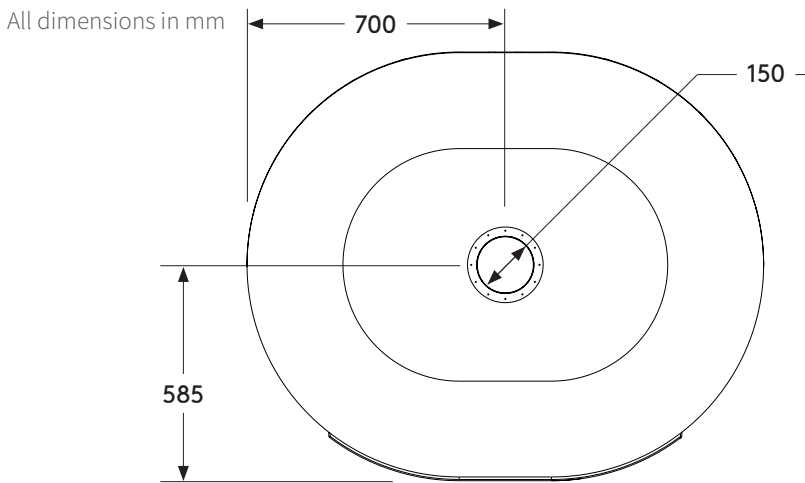


FREE-STANDING

GOZNEY MASTER 100 X 75

PRODUCT SPECIFICATION

Internal oven dimensions	Width 1000mm x Depth 750mm x Height 350mm
Pizza capacity	4 x 12" Pizzas
Door size	Width 510mm x Height 205mm
Oven weight (with render)	630kg
Oven weight (without render)	480kg
Render surface area	3.5m ²
Floor loading (with render)	6,666kg/m ²
Oven wall thickness	65mm
Clearance	Sides: 50mm Front: 1000mm Top: 350mm
Extraction	150mm Flue Spigot
Extraction flow rate	350CFM



Flue pipe and rain cap.

