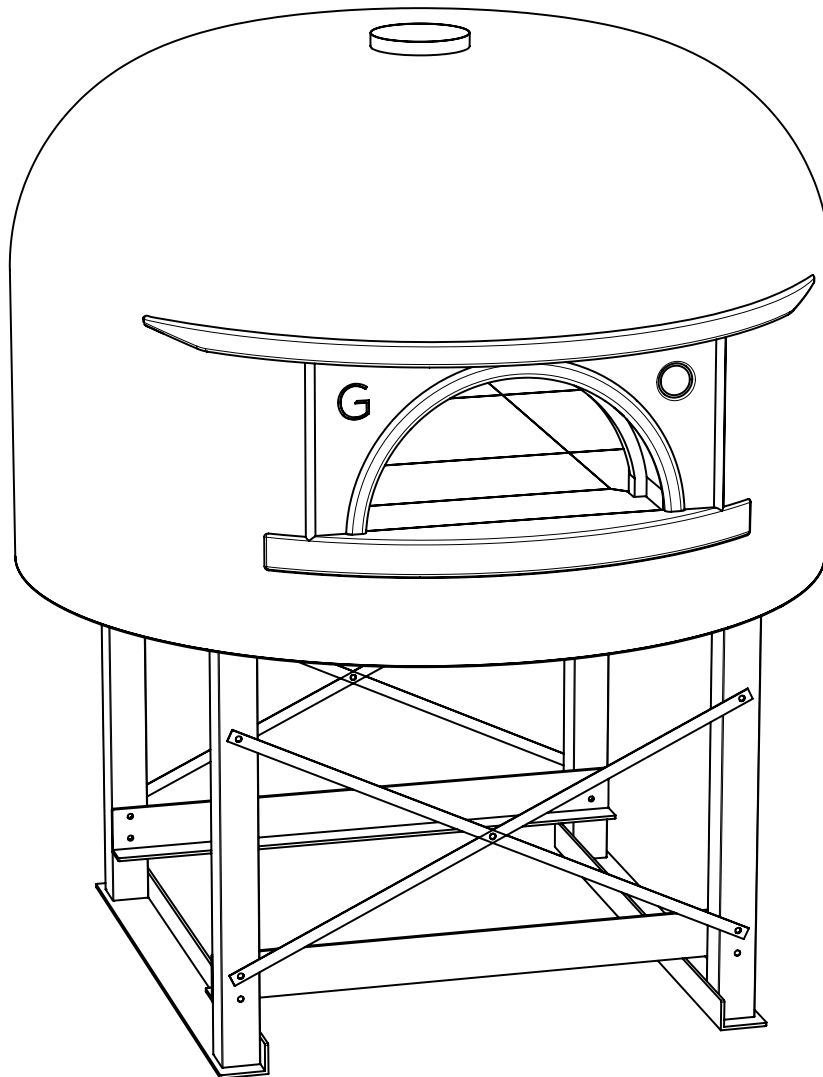


SPECIFICATION SHEET

GOZNEY°

ELITE NAPOLI 1250



FREE- STANDING

ELITE NAPOLI 1250

PRODUCT SPECIFICATION

Internal oven dimensions	Width 1250mm x Depth 1350mm x Height 417mm	All dimensions in mm
Pizza capacity	6 x 12" Pizzas	
Door size	Width 560mm x Height 283mm	
Oven weight	1400kg	
Render surface area	6.42m ²	
Floor loading	5,785kg/m ²	
Oven wall thickness	75mm	
Clearance	Sides: 50mm Front: 1000mm Top: 300mm	
Extraction	200mm Flue Spigot	
Extraction flow rate	450CFM	

