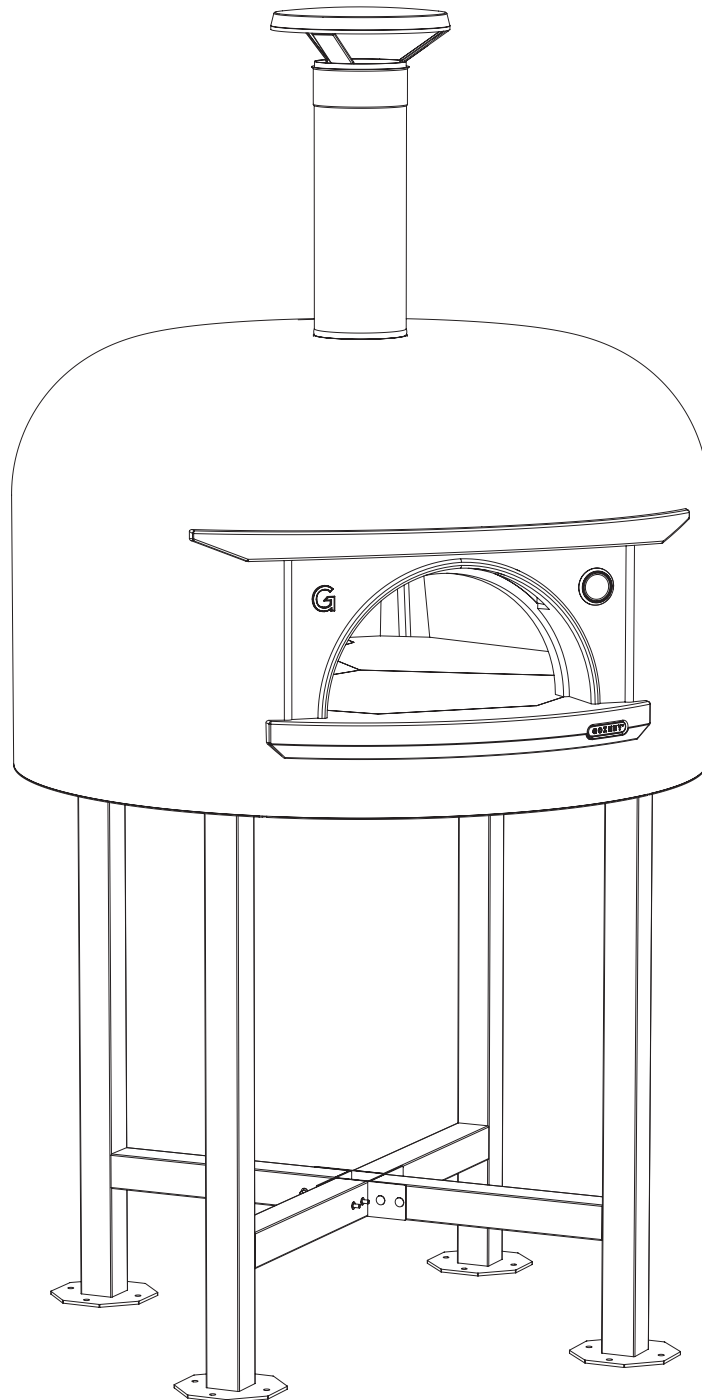


# SPECIFICATION SHEET

GOZNEY MASTER 75X75



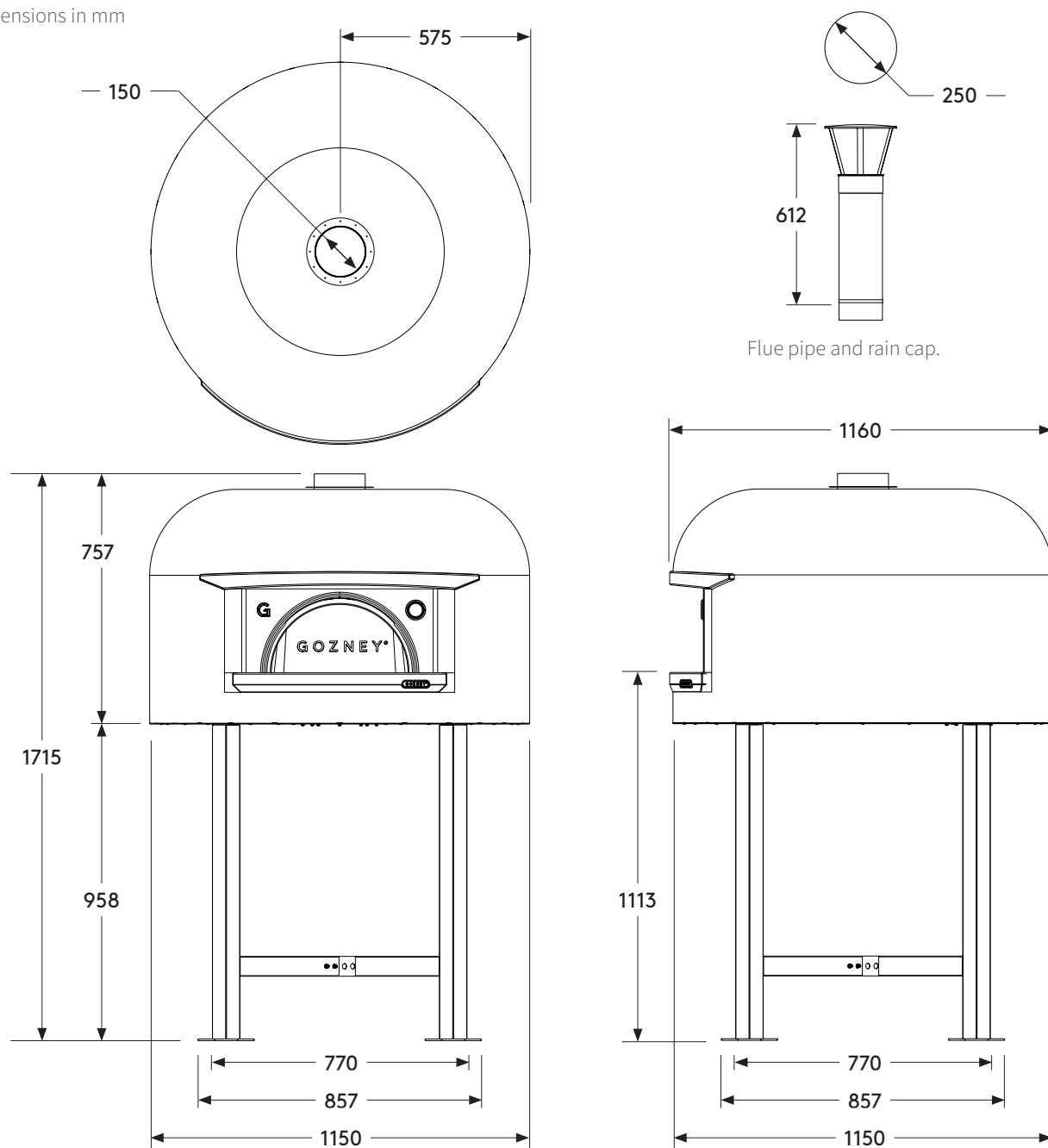
# FREE-STANDING

## GOZNEY MASTER 75X75

### PRODUCT SPECIFICATION

Internal oven dimensions	Width 750mm x Depth 750mm x Height 350mm
Pizza capacity	3 x 12" Pizzas
Door size	Width 410mm x Height 205mm
Oven weight (with render)	430kg
Oven weight (without render)	397kg
Render surface area	3m <sup>2</sup>
Floor loading (with render)	4,550kg/m <sup>2</sup>
Oven wall thickness	65mm
Clearance	Sides: 50mm Front: 1000mm Top: 350mm
Extraction	150mm Flue Spigot
Extraction flow rate	300CFM

All dimensions in mm



Unit 18 & 19, The Runway,  
Christchurch,  
Dorset. BH234FL.

w gozney.com  
e enquiries@gozney.com  
t +44 (0)1425 204 999

GOZNEY<sup>®</sup>