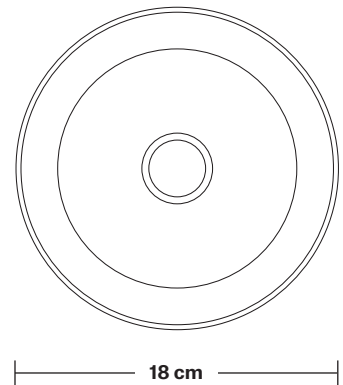
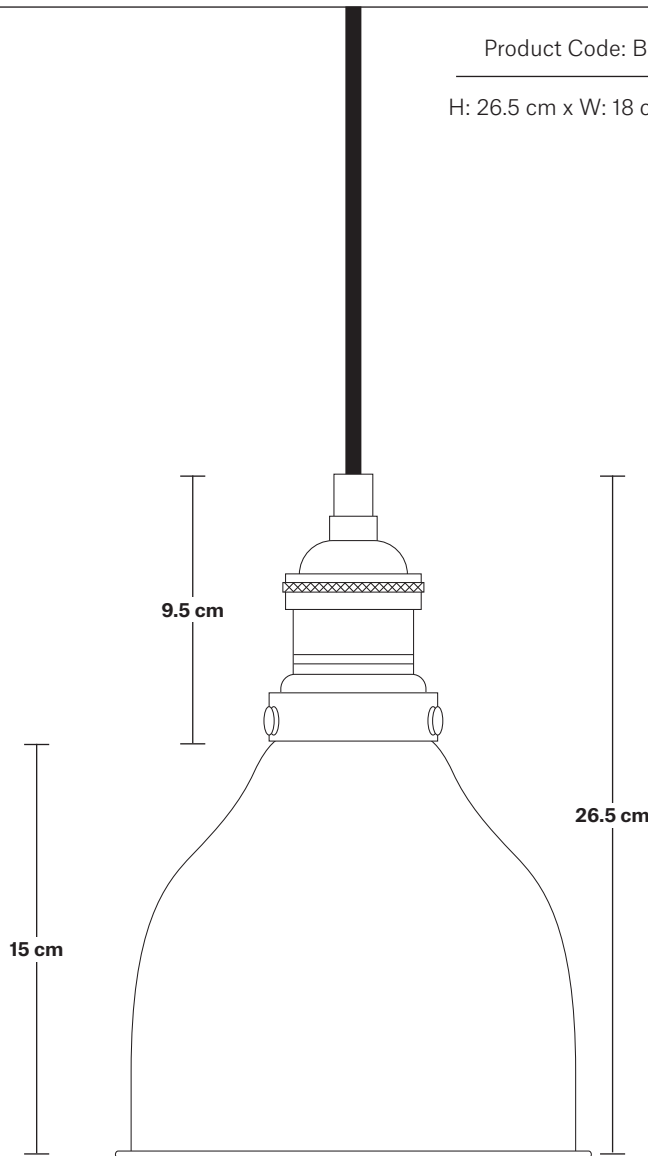


Brooklyn Cone Pendant - 7 Inch

Product Code: BR-CP7

H: 26.5 cm x W: 18 cm x D: 18



SPECIFICATIONS

We meet all UK and EU lighting and safety regulations.

Our products are hand finished to ensure an authentic vintage look and therefore they may vary slightly from those shown in the images.

Bulb required: Standard screw (E27) fitting, max 40W.

Shade weight: 0.35 kg | **Holder weight:** 0.5 kg

Maximum weight: 0.85 kg

INFORMATION

Finishes: Brass, Pewter and Copper.

Ready to be installed, installation required.

Wall mount screws not included.

Holders available: Brass, Pewter and Copper.

Flex: 1m Black Round Fabric Flex.

Ceiling rose: Pewter.

DIMENSIONS

Shade Diameter: 18 cm / 7"

Shade Height (no holder): 15 cm / 6.1"

Holder Diameter: 6 cm / 2.5"

Holder Height: 11 cm / 4.3"

Ceiling Rose Diameter: 12 cm / 4.9"

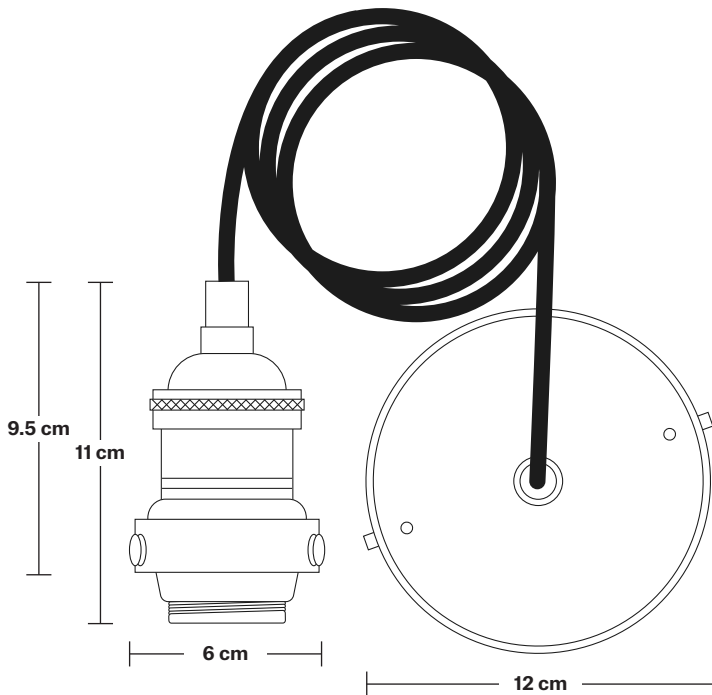
Ceiling Rose Height: 2 cm / 0.8"

INDUSTVILLE

Brooklyn Cord Set ES E27 Bulb Holder

Product Code: BR-CS

H: 113 cm x W: 12 cm x D: 12 cm



SPECIFICATIONS

We meet all UK and EU lighting and safety regulations.

Our products are hand finished to ensure an authentic vintage look and therefore they may vary slightly from those shown in the images.

Bulb required: Standard screw (E27) fitting, max 40W.

Weight: 0.5 kg

INFORMATION

Finishes: Brass, Pewter and Copper.

Ready to be installed, installation required.

Wall mount screws not included.

Flex: 1m Black Round Fabric Flex.

Ceiling rose: Pewter.

DIMENSIONS

Bulb Holder Diameter: 6 cm / 2.5"

Bulb Holder Height: 11 cm / 4.3"

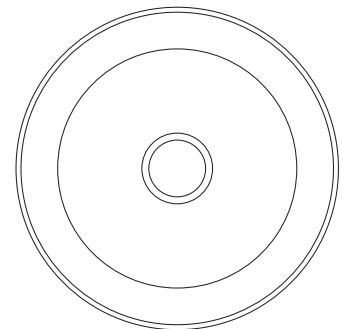
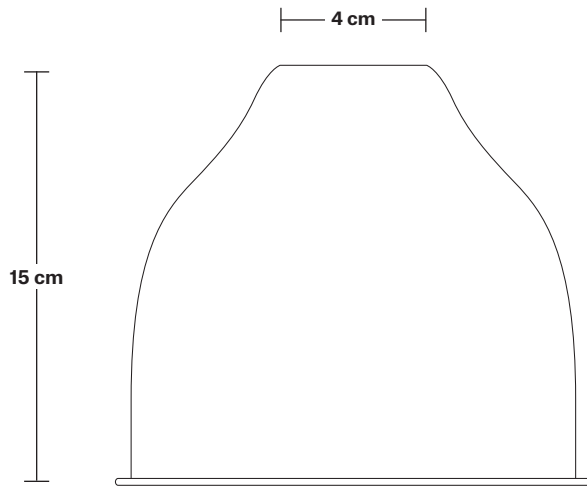
Ceiling Rose height: 12 cm / 4.9"

Full Drop: 113 cm / 44.5"

Cone Shade - 7 Inch - Shade Only

Product Code: C7-SO

H: 15 cm x W: 18 cm x D: 18 cm



18 cm

SPECIFICATIONS

We meet all UK and EU lighting and safety regulations.

Our products are hand finished to ensure an authentic vintage look and therefore they may vary slightly from those shown in the images.

Bulb required: Standard screw (E27) fitting, max 40W.

Shade weight: 0.35 kg

INFORMATION

Finishes: Brass, Pewter and Copper.

Ready to be installed, installation required.

Wall mount screws not included.

DIMENSIONS

Shade Diameter: 18 cm / 7"

Shade Height (no holder): 15 cm / 6.1"

INDUSTVILLE

Cone - 7 Inch - Pewter

Shade Only

Cone - 7 Inch - Pewter - Shade Only	C7-P-SO
-------------------------------------	----------------

Brooklyn Cone Pendant - 7 Inch - Pewters

Brooklyn Cone Pendant - 7 Inch - Pewter - Brass Holder	BR-CP7-P-BH
--	--------------------

Brooklyn Cone Pendant - 7 Inch - Pewter - Pewter Holder	BR-CP7-P-PH
---	--------------------

Brooklyn Cone Pendant - 7 Inch - Pewter - Copper Holder	BR-CP7-P-CH
---	--------------------

Brooklyn Cone Flush Mount - 7 Inch - Pewter

Brooklyn Cone Flush Mount - 7 Inch - Pewter - Brass Holder	BR-CFM7-P-BH
--	---------------------

Brooklyn Cone Flush Mount - 7 Inch - Pewter - Pewter Holder	BR-CFM7-P-PH
---	---------------------

Brooklyn Cone Flush Mount - 7 Inch - Pewter - Copper Holder	BR-CFM7-P-CH
---	---------------------

Brooklyn Cone Wall Light - 7 Inch - Pewter

Brooklyn Cone Wall Light - 7 Inch - Pewter - Brass Holder	BR-CWL7-P-BH
---	---------------------

Brooklyn Cone Wall Light - 7 Inch - Pewter - Pewter Holder	BR-CWL7-P-PH
--	---------------------

Brooklyn Cone Wall Light - 7 Inch - Pewter - Copper Holder	BR-CWL7-P-CH
--	---------------------

Swan Neck Cone Wall Light - 7 Inch - Pewter

Swan Neck Cone Wall Light - 7 Inch - Pewter - Pewter Holder	SN-CWL7-P-PH
---	---------------------

Sleek Cone Pendant - 7 Inch - Pewter

Sleek Cone Pendant - 7 Inch - Pewter - Brass Holder	SL-CP7-P-BH
---	--------------------

Sleek Cone Pendant - 7 Inch - Pewter - Pewter Holder	SL-CP7-P-PH
--	--------------------

Sleek Cone Pendant - 7 Inch - Pewter - Copper Holder	SL-CP7-P-CH
--	--------------------