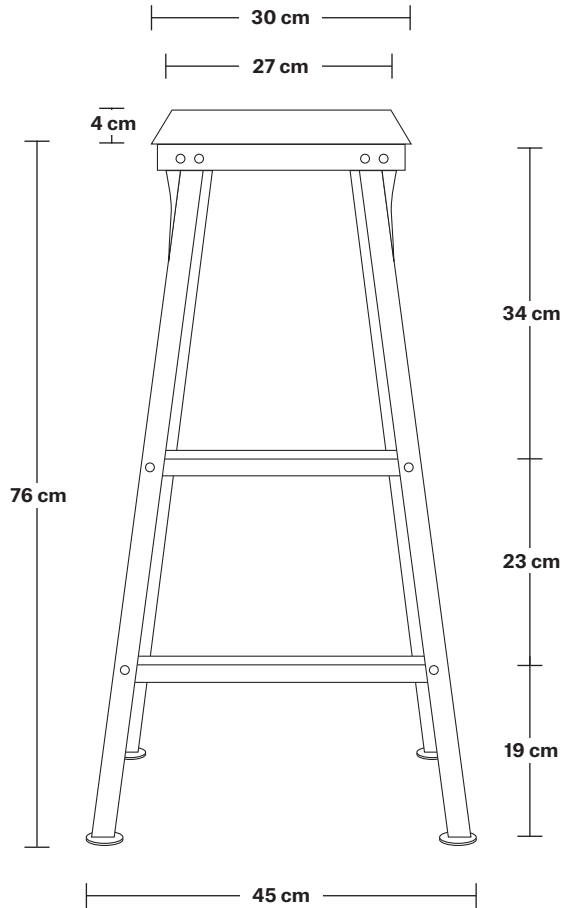


TALL

# Tall Solid Wood & Metal Work Bar Stool - 32 Inch

Product Code: ST-TL-W

H: 80 cm x W: 45 cm x D: 45 cm



## SPECIFICATIONS

Our products are hand finished to ensure an authentic vintage look and therefore they may vary slightly from those shown in the images.

**Legs:** 4

**Seat:** Non-adjustable

**Weight:** 7.5 g

## INFORMATION

**Seat Material:** Wood.

Ready to be installed, installation required.

**Frame Material:** Iron with a Pewter finish.

## DIMENSIONS

Height: 80 cm / 31.4"

Width: 45 cm / 17.7"

Depth: 45 cm / 17.7"

INDUSTVILLE