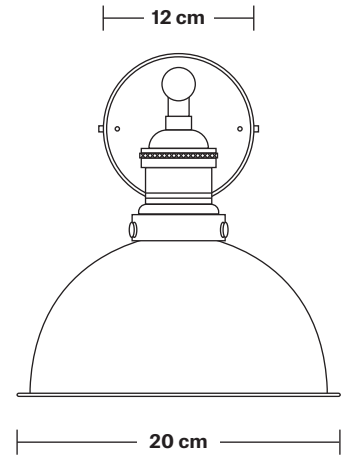
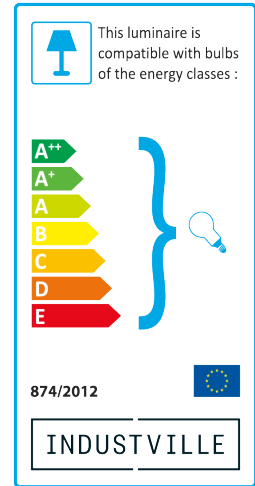
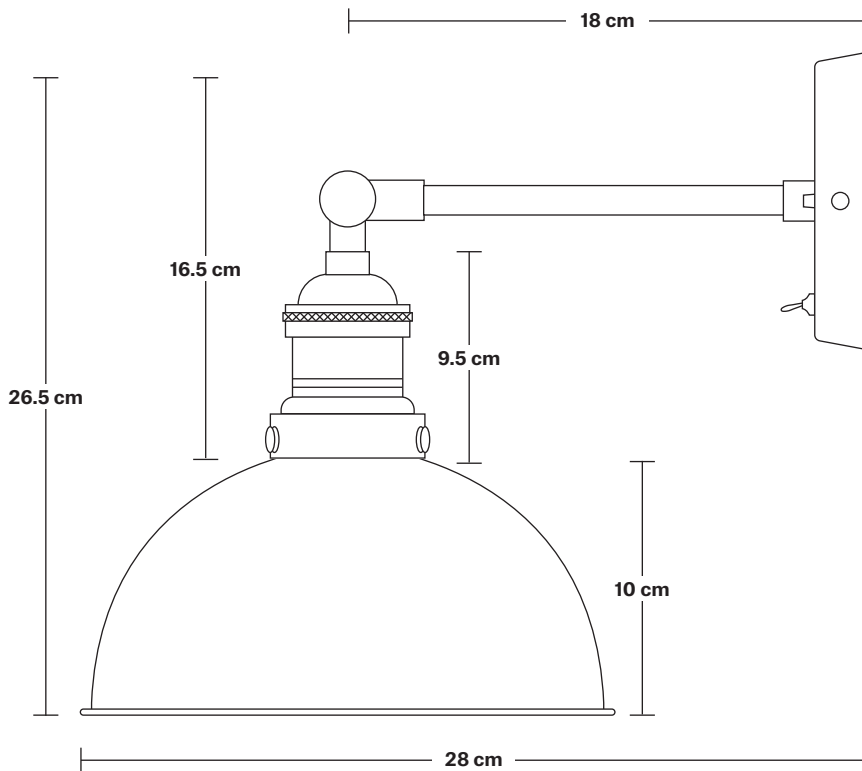


# Brooklyn Dome Wall Light - 8 Inch

Product Code: BR-DWL8

H: 26.5 cm x W: 20 cm x D: 28 cm



## SPECIFICATIONS

We meet all UK and EU lighting and safety regulations.

Our products are hand finished to ensure an authentic vintage look and therefore they may vary slightly from those shown in the images.

**Bulb required:** Standard screw (E27) fitting, max 40W.

**Shade weight:** 0.4 kg | **Holder weight:** 0.6 kg

**Maximum weight:** 1 kg

## INFORMATION

**Finishes:** Brass, Pewter, Copper, Copper & Pewter, Brass & Pewter.

Ready to be installed, installation required.

Wall mount screws not included.

The lights can be operated by both the flick switch or the main switch.

**Holders available:** Brass, Pewter and Copper.

## DIMENSIONS

Shade Diameter: 20 cm / 8"

Shade Height (no holder): 10 cm / 4"

Holder Diameter: 6 cm / 2.5"

Holder Height: 18 cm / 7.1"

Wall Rose Diameter: 12 cm / 4.9"

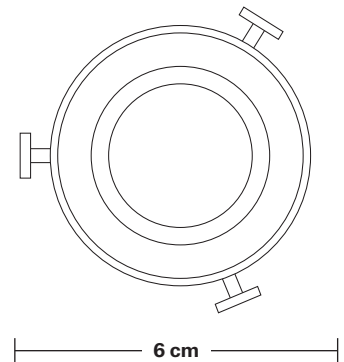
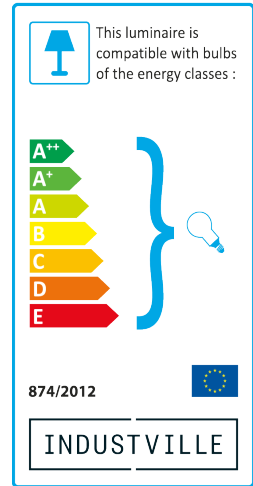
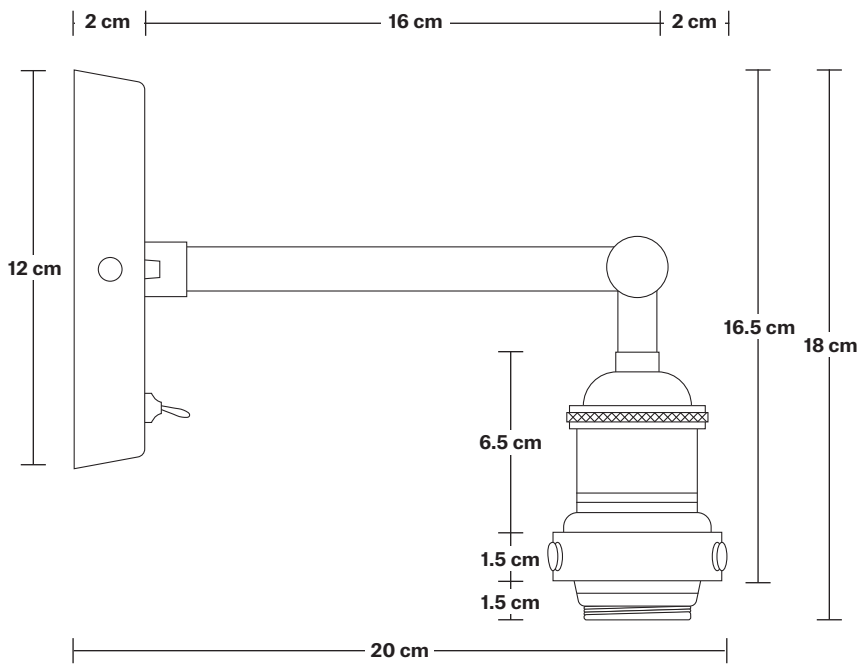
Wall Rose Height: 2 cm / 0.8"

INDUSTVILLE

# Brooklyn Wall Light Holder

Product Code: BR-WL

H: 18 cm x W: 12 cm x D: 20 cm



## SPECIFICATIONS

We meet all UK and EU lighting and safety regulations.

Our products are hand finished to ensure an authentic vintage look and therefore they may vary slightly from those shown in the images.

**Bulb required:** Standard screw (E27) fitting, max 40W.

**Weight:** 0.6 kg

## INFORMATION

**Finishes:** Brass, Pewter and Copper.

Ready to be installed, installation required.

Wall mount screws not included.

**Wall mount rose:** Pewter.

## DIMENSIONS

Holder Diameter: 6 cm / 2.5"

Holder Height: 18 cm / 7.1"

Projection: 20 cm / 7.9"

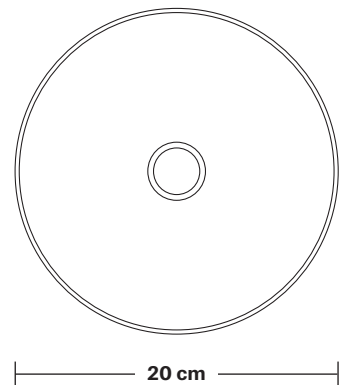
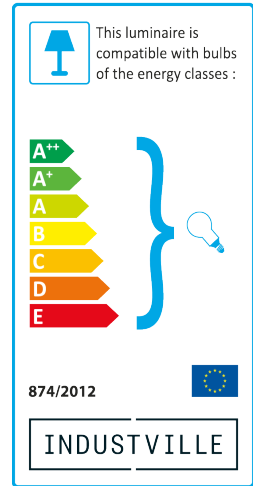
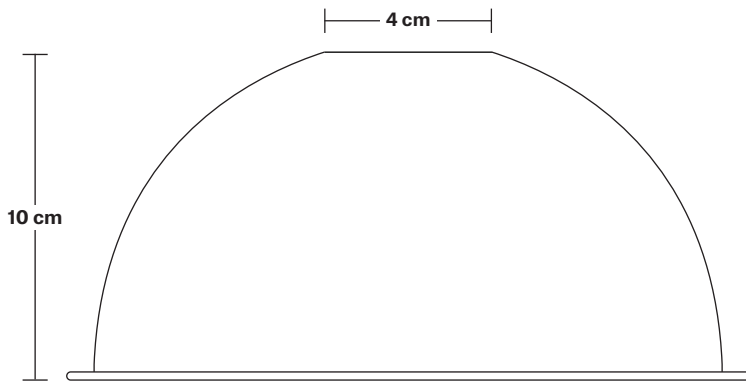
Ceiling Rose Diameter: 12 cm / 4.9"

Ceiling Rose Depth: 2 cm / 0.8"

# Dome - 8 Inch - Shade Only

Product Code: D8-SO

H: 10 cm x W: 20 cm x D: 20 cm



## SPECIFICATIONS

We meet all UK and EU lighting and safety regulations.

Our products are hand finished to ensure an authentic vintage look and therefore they may vary slightly from those shown in the images.

**Bulb required:** Standard screw (E27) fitting, max 40W.

**Shade weight:** 0.4 kg

## INFORMATION

**Finishes:** Brass, Pewter, Copper, Copper & Pewter, Brass & Pewter.

Ready to be installed, installation required.

Wall mount screws not included.

## DIMENSIONS

Shade Diameter: 20 cm / 8"

Shade Height: 10 cm / 4"

# Dome - 8 Inch - Pewter & Copper

## Shade Only

Dome - 8 Inch - Pewter & Copper - Shade Only	<b>D8-CP-SO</b>
--	-----------------

## Brooklyn Dome Pendant - 8 Inch - Pewter & Copper

Brooklyn Dome Pendant - 8 Inch - Pewter & Copper - Pewter Holder	<b>BR-DP8-CP-PH</b>
--	---------------------

Brooklyn Dome Pendant - 8 Inch - Pewter & Copper - Copper Holder	<b>BR-DP8-CP-CH</b>
--	---------------------

## Brooklyn Dome Flush Mount - 8 Inch - Pewter & Copper

Brooklyn Dome Flush Mount - 8 Inch - Pewter & Copper - Pewter Holder	<b>BR-DFM8-CP-PH</b>
--	----------------------

Brooklyn Dome Flush Mount - 8 Inch - Pewter & Copper - Copper Holder	<b>BR-DFM8-CP-CH</b>
--	----------------------

## Brooklyn Dome Wall Light - 8 Inch - Pewter & Copper

Brooklyn Dome Wall Light - 8 Inch - Pewter & Copper - Pewter Holder	<b>BR-DWL8-CP-PH</b>
---	----------------------

Brooklyn Dome Wall Light - 8 Inch - Pewter & Copper - Copper Holder	<b>BR-DWL8-CP-CH</b>
---	----------------------

## Sleek Dome Pendant - 8 Inch - Pewter & Copper

Sleek Dome Pendant - 8 Inch - Pewter & Copper - Pewter Holder	<b>SL-DP8-CP-PH</b>
---	---------------------

Sleek Dome Pendant - 8 Inch - Pewter & Copper - Copper Holder	<b>SL-DP8-CP-CH</b>
---	---------------------