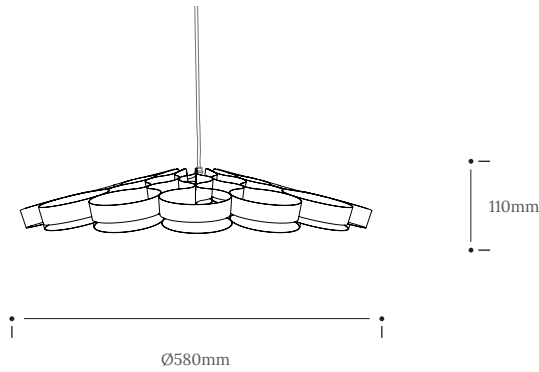


ARAME PENDANT

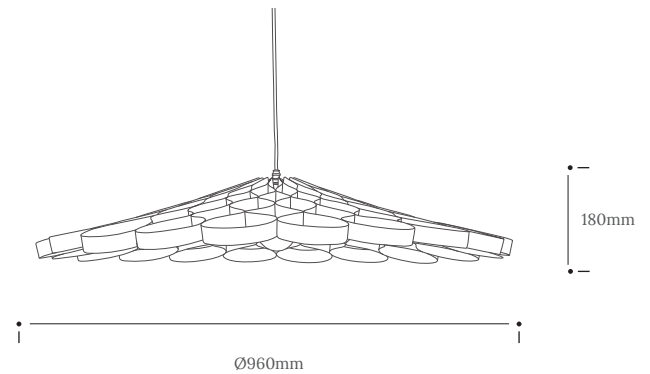
Product Specification

Tom Raffield

Arame Pendant Small



Arame Pendant



Elemental, geometric, sequential. A surge of optical energy; a silhouette of sustainable craftsmanship. Switched on or off, boundless shadows unfurl, pirouette and tumble in kaleidoscopic tessellation creating an extraordinary spectacle in your space. When illuminated, an abundance of golden glow diffuses from the Arame Pendant's steam bent core - casting an aura of light that's truly transfixing.

Let nature guide you. See your space differently.

The Arame Pendant Small is also available as a wall light.

Product Type : Pendant Light	SKU	Wood types	Dimensions L x W x H (mm)		Weight (kg)	
			Unboxed	Boxed	Unboxed	Boxed
Arame Pendant Small	TR-ARAM-P-A-SML	Ash	Ø580 x 110	615 x 615 x 390	0.2	2.6
	TR-ARAM-P-W-SML	Walnut				
Arame Pendant	TR-ARAM-P-A	Ash	Ø960 x 180	1000 x 1000 x 200	0.45	3.05
	TR-ARAM-P-W	Walnut				
Materials	Ash 	Walnut 	Other materials Birch ply hanging disk 			
Finish	Non-toxic, hard wearing water based varnish - satin					
Wiring kit option : 1	Black ceiling rose and brass bulb holder 	Ceiling kit	Flex	Reccomended light bulb		
		Ceiling rose: Ø100mm E27 (240v) / E26 (110v)	Flex colour: black fabric Flex length: 2m (Adjustable)	Max 25W LED		
Wiring kit option : 2	Brushed steel ceiling rose and bulb holder 	Ceiling kit	Flex	Reccomended light bulb		
		Ceiling rose: Ø100mm E27 (240v) / E26 (110v)	Flex colour: clear plastic Flex length: 2m or 4m (Adjustable)	Max 25W LED		
Care information	Dusting your light regularly and with a light feather duster should keep your light looking clean, otherwise wipe with a damp cloth and remove any moisture with a dry cloth. Gentle furniture polishes can also be used.					
Additional information	<ul style="list-style-type: none"> This light can be used with your existing E27/E26 pendant fitting. Suitable for use on 240v and 110v circuits. A shade ring adaptor can be supplied so the light can be used on a bayonet (B22) pendant fitting. Installation instructions included. 					