

FREESTANDING FIREPLACE

600 DURA

700 MOLARA

800 ATLIN

600 HARMONY

COMMANDER

ASSEMBLY & OPERATING INSTRUCTIONS.



Questions, problems, missing parts? Before returning to your retailer, call our Customer Service Department at Tel: (010) 001 6342, 8 a.m. - 5 p.m., CAT, Monday-Thursday and Friday till 2 p.m. Or send us an E-mail at service@megagroup.co.za or visit us online at: www.megamaster.co.za

megamaster™

TOGETHER, MADE BETTER

THIS MANUAL IS DESIGNED TO FIT INTO A DRAWER,

BUT THAT'S NOT WHERE IT BELONGS.

We get it. You've just unboxed your Megamaster Freestanding Fireplace and you can't wait to fire it up. The feeling of warmth and relaxation and everything else you could possibly imagine certainly aren't going to assemble themselves.

At Megamaster, we believe anything worth doing is worth doing well. That's why, as with all of our products, we've put a lot of thought and effort into this user manual. It really is the first step towards making your time with friends and family more valuable.

INSTALLATION INSTRUCTIONS & USER MANUAL

Actual product may differ slightly from the picture above Megamaster products and factories comply with the Quality Management System standards required by all major retailers in South Africa.

+27 (0)12 802 1515 PO Box 15, Woodlands, 072, South Africa

www.megamaster.co.za

megamaster[™]
TOGETHER. MADE BETTER[™]

At Megamaster, we understand that the warmth of the flames is really the warmth of human connection. And that the more we kindle it, the brighter it burns. Times may change. Technology may come or go. But there will always be one real and meaningful place for us to gather. For hugs. For smiles. For literally laughing out loud. Where our hearts and minds are free because we have everything we truly need.

We believe that, in those moments, it's more than a Fireplace. It's a celebration. It's together, made better.

Safety Instructions and fire bricks information	4
Hardware Contents	6 - 7
Size and Measurements	8
Typical/Recommended Installation	9 - 10
Operating Instructions	11
Care and Maintenance	11
Trouble Shooting	12
Warranty Information	14



- Please read the following instructions carefully before attempting to assemble, operate or install the product.
- Failure to follow these instructions may result in serious bodily injury and/or property damage.
- Please ensure that you inspect the unit prior to any installation for any defects as this may affect the workmanship and structure warranty after the installation. If you have questions regarding the product please call customer service at (+27) 10 001 6342 or email service@megagroup.co.za
- TO REDUCE THE RISK OF BURN HAZARD OR OTHER INJURY, READ THE MANUAL CAREFULLY AND COMPLETELY BEFORE USING THE PRODUCT.



DANGER

1. Do not repair or replace any part of the unit unless specifically recommended in this manual. All other service should be referred to a qualified technician. This unit is not intended to be installed in or on recreational vehicles or boats.
2. Children should not be left alone or unattended in an area where the unit is being used. Do not allow them to sit, stand or play in or around the unit at any time.
3. Do not touch the unit while the it is in operation, or until it has cooled down after use.
4. Do not use gasoline, alcohol, or other highly volatile fluids to ignite the unit.
5. Do not add starter fluid or lighter fluid to already hot or warm unit.
6. Do not use this unit unless all parts are in place. The unit must be properly assembled according to the assembly instructions.
7. Do not leave the unit unattended while in use.
8. Do not operate the unit under unprotected combustible constructions. Use only in well ventilated areas. Do not use in buildings, garages, sheds or other such enclosed areas.

IMPORTANT NOTES REGARDING FIRE BRICKS

- Cleaning ash from the fire bricks must be done with a soft bristle brush.
- The fire bricks must be handled with care, as improper or negligent use may lead to damage / breakage.
- The fire bricks must be placed flat on the bottom of the Fireplace or Braai as intended use.
- No Chemicals or accelerants may be used on the fire bricks.
- fire bricks must be left to naturally cool after use, as accelerated cooling may lead to breakage / damage.

WHEW,

We feel much better knowing you're safer for having taken the time to go through that first section thoroughly.

Now, let's get on with putting your Megamaster Freestanding Fireplace together so you can enjoy and cosy up with some friend and family.

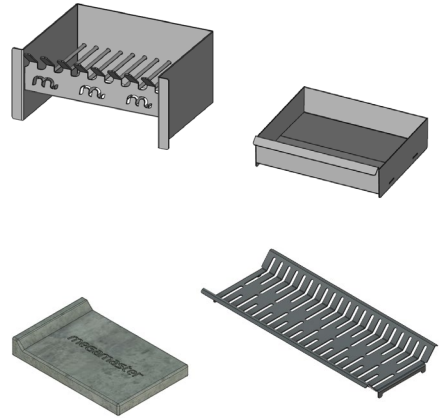
megamaster[™]
TOGETHER, MADE BETTER[™]

Features:

1. Grate and Ash pan

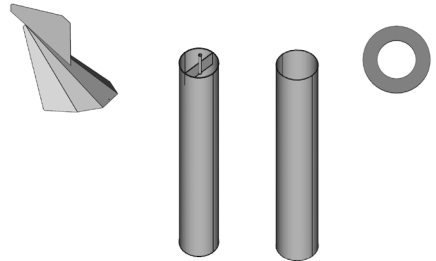
The grate and ash pan provide an easy to use, quick start element to your unit, the ash pan can be easily removed to clean it. These two parts are working elements in the fireplace thus, may need to be replaced when worn. NB for wood burning only, no coal or anthracite.

The 600 Harmony and Commander Freestanding Fireplaces come with a newly designed basket grate and 2x heat- resistant fire brick.



2. Flue Pipes and Cowl

The unit comes standard with 3,2m of round 190mm Flue pipes as well as a rotating cowl and a ceiling plate (including 2x Stainless steel ball bearings).



3. Fire Screen

A fire screen may be purchased to complement your unit, it will prevent embers or sparks emitted from the fireplace from falling onto your carpet, laminated wooded floors or tiles. It will also provide some safety when young children are around, although you should never leave young children unoccupied when using this unit.

Optional Extras are available from your nearest retailer or directly from MegaMaster. Please visit our website for a full range of fireplace accessories - www.megamaster.co.za

**Replacement Grate and ash pan – Flue Pipes - 45 Degree Bends
And replacement doors and handles**

Did you make sure everything's in the box? Great!

We go out of our way to ensure everything is perfect, but in the unlikely event that anything is out of place, please don't hesitate to contact our friendly customer service before you continue. Please report within 7 days of purchase.

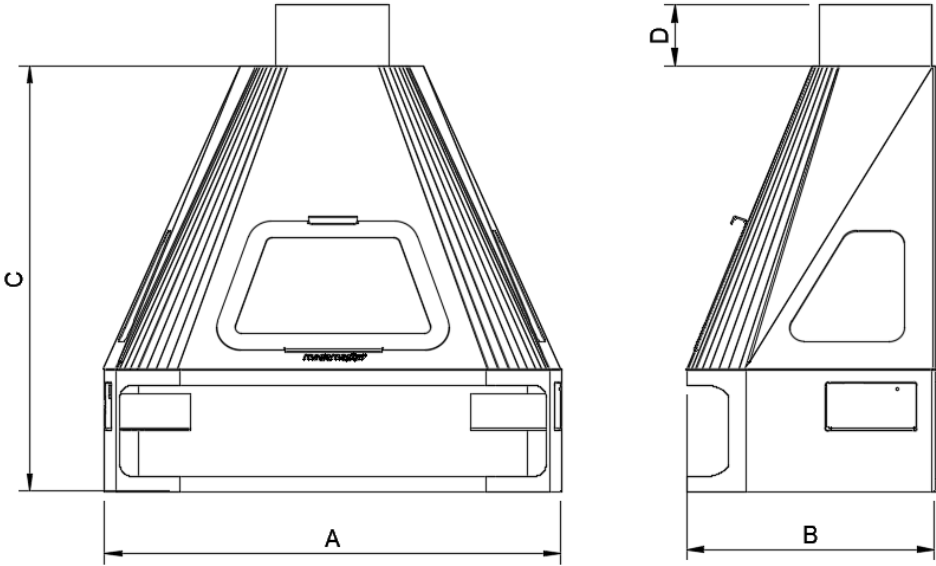
The smallest things can be really important.

MAKE YOUR ASSEMBLY EXPERIENCE EVEN BETTER, WE RECOMMEND YOU:

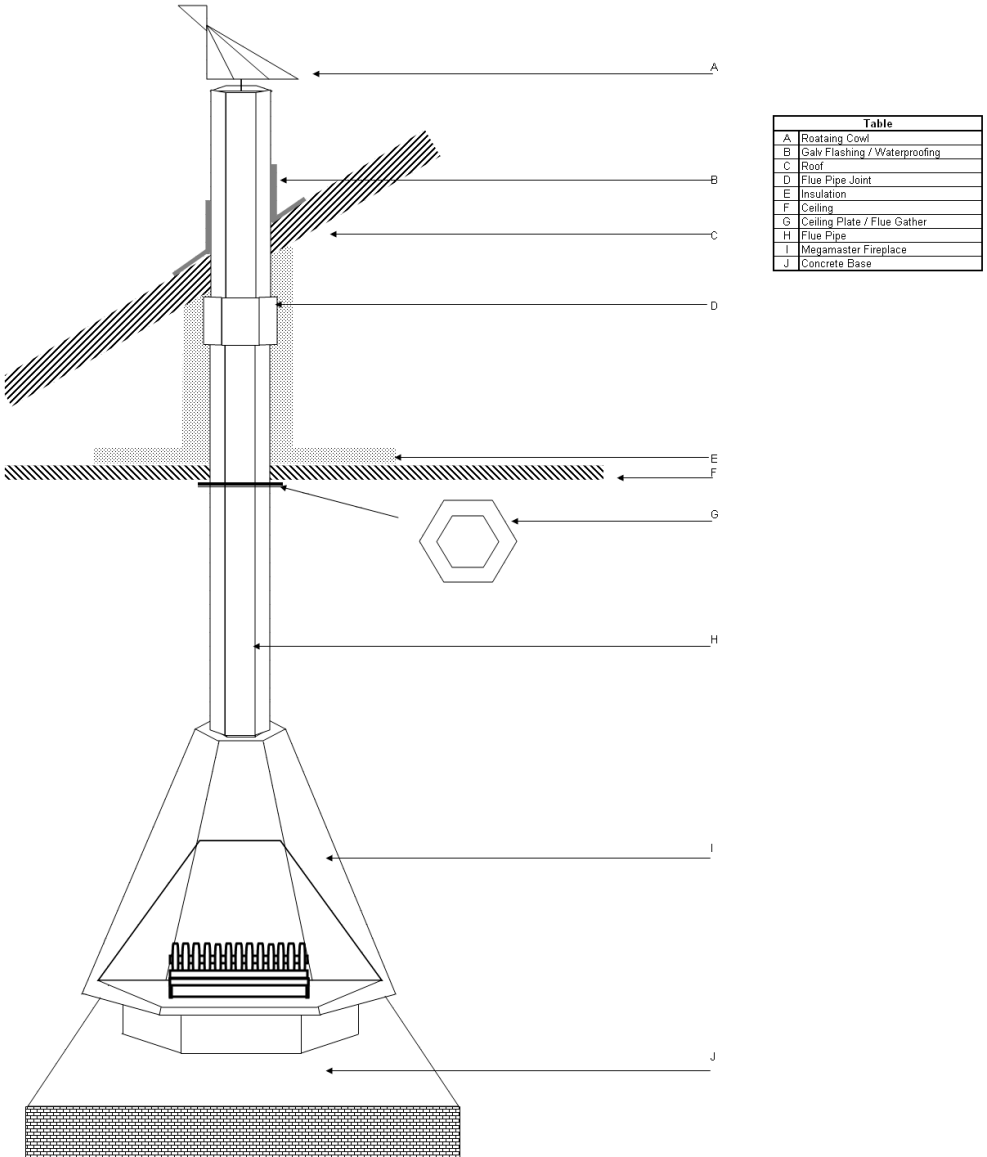
Play your favourite album in the background, make yourself something hot and invite some friends over, as it won't be long before your Megamaster Freestanding Fireplace is ready to start making your good times even better!

CONTACT A QUALIFIED INSTALLER IF YOU ARE IN NEED OF SOME HELP.

megamaster[™]
TOGETHER, MADE BETTER[™]



	A (Width)	B (Depth)	C (Height)	D (Flue gather height)
800 ATLAN	450	800	950	120
700 MOLARA	700	520	820	120
600 DURA	620	450	750	120
600 HARMONY	750	410	700	120
COMMANDER	580	440	840	120



9 Fig. 1 Typical Installation of Megamaster unit
 To protect your interest, be sure to employ a reputable and competent installer to do the installation.

HANDY TIPS/ POINTS TO KEEP IN MIND:

Refer to Fig. 1

1. Construct brick support walls for the unit to your personal desired height. Concrete lintels can be used for the base support. If the unit will rest at ground level, tiles or a steel heat plate can be used to protect laminated wood or carpeted floors.
2. Surroundings walls can be cladded or tiled to provide protection against heat corrosion, it may also provide a pleasing aesthetic appeal to some people.
3. Please take extra precaution to protect any electrical wiring from direct exposure to heat.
4. This product includes 4 x800mm length flue pipes. Additional flue pipes can be purchased to extend the chimney to the correct height. If more than one extra flue is added to the installation it is advised that the joints are sealed with heat resistant black silicone or fire cement. Self-tapping screws can be used to permanently flue joint sections.
5. The height of the chimney is very important to ensure the correct draw of smoke. The height of the opening of the chimney should be at least 0.5m above the apex of the roof. If the horizontal distance between the chimney opening and the roof apex is more than 3m, the vertical height may be made less. Please note that wind conditions in certain areas may affect the draw of the chimney and the vertical height may need to be extended.
6. Where the flue pipe exits through a ceiling board a hole of approximately 25mm larger than the steel flue pipe, in a position of away from any timber beam, is needed. A round ceiling plate or flue gather is included with this product, it is used to cover the hole between the ceiling board and flue pipe, it can be fastened by using dry wall screws. Flue pipes within a ceiling should be well insulated with fiberglass wool or normal ceiling insulation.
7. Use standard flashing material and procedure to waterproof the roof around the chimney. Not supplied with this product.
8. The flue can be offset to avoid obstructions, providing sufficient support to prevent sagging. 45 Degree bends are available at Megamaster Retailers.
9. A rotating cowl is necessary to prevent down drafts on windy days and will prevent rain from entering the chimney. The chimney and the cowl must be 100 % level and the gap between the lowest part of the cowl and the chimney must be minimal.
10. After installation, all exposed parts of the chimney and rotating cowl can be painted with good quality heat resistant black enamel paint.
11. The rotating cowl axle must be greased regularly to avoid rust. The unit is supplied with two stainless steel ball bearings to allow the cowl to rotate freely. Slide these two bearing into the hollow round tube of the base. Grease is not included with this product.
12. Before having your first fire, a normal size fire is to be made and burned until no paint smell remains.

WARNING



Please read the following instructions carefully before attempting to assemble, operate or install the product. The unit becomes extremely hot and can cause burning. Failure to comply with these instructions may result in serious bodily injury.

NOTE: Remove all packaging, including straps, before using the product.

INSTRUCTIONS BEFORE FIRST USE

Choose a proper location to install the fireplace:

- It is recommended/advised to install this unit under cover.
- Only use this unit in a well-ventilated area. Do not use in a garage, building breezeway, or any other enclosed area.
- Keep the unit on a secure, level surface at all times.
- Do not use unit within five feet of any combustible material. Combustible materials include, but are not limited to, wood or treated wood decks, patios, and porches.

CARE & MAINTENANCE

CLEANING

- Follow a few basic maintenance instructions to keep your unit looking better for years to come!
- If your unit is subject to a particularly harsh environment, you will want to clean the outside more often.
- Acid rain, chemicals and salt water can cause surface rusting to appear. Megamaster recommends wiping down the outside of your unit with warm soapy water. Follow up with a rinse and thorough drying.
- Do not use sharp objects or abrasive cleaners to clean the surfaces of your unit.
- Clean inside after use for optimum performance of the unit.
- Regularly check cowl and base for leaks. Repair leaks with mutton cloth and paint.

STORAGE AND RUST PREVENTION

- Do not leave or install your unit out in direct sunlight or rain exposure.
- Polishing or swiping the unit with baby oil will help prevent rust by forming a thin protective layer on the steel.
- Coastal regions are more prone to rust, so it is advised to take extra precaution and check your unit regularly for signs of rust.

BEFORE CALLING FOR SERVICE

If the unit does not function properly, use the following trouble shooting list before contacting your dealer for service. You may save the cost of a service call.

PROBLEM	SOLUTION
Smoke comes out through the front.	<ul style="list-style-type: none"> • No debris inside flue. • During installation ensure steel flue pipe is installed. • Grease rotating cowl, to ensure rotation.
Rotating Cowl does not rotate.	<ul style="list-style-type: none"> • Ensure to regularly grease the inside of the tube.
Fire does not start or struggle to burn.	<ul style="list-style-type: none"> • Clean all embers and dust particles from the inside of the fireplace, to ensure proper air circulation.
Fire does not “draw” or burn properly, dies after start-up.	<ul style="list-style-type: none"> • Ensure that the damper is working, and that it is in the “open”-position when lighting the fire.

LOOK AFTER YOUR MEGAMASTER FIREPLACE AND IT WILL LOOK AFTER YOU.

The best friendships are made better when you spend quality time together.

Make it a lasting friendship by making the effort to follow our care and maintenance guide.

megamaster[™]

TOGETHER, MADE BETTER[™]

The manufacturer warrants to the original consumer-purchaser only that this product (*Model FRESTANDING FIREPLACE*) shall be free from defects in workmanship and materials after correct assembly and under normal and reasonable home use for the periods indicated below beginning on the date of purchase. The manufacturer reserves the right to require photographic evidence of damage, or that defective parts be returned, postage and/or freight pre-paid by the consumer, for review and examination. Megagmaster obligation is limited to repair, replacement, or depreciated value, at the option of Megagmaster.

•**5 year LIMITED warranty** (**Does not cover surface corrosion, Discoloration or Rust.*)

•**1 year LIMITED warranty on all removable parts** (**Does not cover surface corrosion, Discoloration or Rust.*)

Upon consumer supplying proof of purchase as provided herein, Manufacturer will repair or replace the parts which are proven defective during the applicable warranty period. Parts required to complete such repair or replacement shall be free of charge to you except for shipping costs, as long as the purchaser is within the warranty period from the original date of purchase. Reasonable proof of your date of purchase. The original consumer-purchaser will be responsible for all shipping charges of parts replaced under the terms of this limited warranty. This limited warranty is applicable in South Africa only, is only available to the original owner of the product and is *not transferable*. Manufacturer requires, you should retain your sales receipt and/or invoice. If the unit was received as a gift, please ask the gift-giver to send in the receipt on your behalf, to the below address. Defective or missing parts subject to this limited warranty will not be replaced without registration or proof of purchase. Missing parts needs to be reported within 7 days of purchase. This limited warranty applies to the functionality of the product ONLY and does not cover cosmetic issues such as scratches, dents, corruptions or discoloring by heat, abrasive and chemical cleaners or any tools used in the assembly or installation of the appliance, surface rust, or the discoloration of stainless steel surfaces. Surface rust, corrosion, or powder paint chipping on metal parts that does not affect the structural integrity of the product is not considered a defect in workmanship or material and is not covered by this warranty. This limited warranty will not reimburse you for the cost of any inconvenience, food, personal injury or property damage. If an original replacement part is not available, a comparable replacement part will be sent. You will be responsible for all shipping charges of parts replaced under the terms of this limited warranty.

MANUFACTURER WILL NOT PAY FOR:

- Service calls to your home.
- Repairs when your product is used for other than normal, single-family household or residential use.
- Damage resulting from accident, alteration, misuse, lack of maintenance/cleaning, abuse, fire, flood, acts of God, improper installation, and installation not in accordance with electrical or plumbing codes or misuse of product.
- Any food loss due to product failures.
- Replacement parts or repair labor costs for units operated outside South Africa.
- Pickup and delivery of your product.
- Postage fees or photo processing fees for photos sent in as documentation.
- Repairs to parts or systems resulting from unauthorized modifications made to the product.
- The removal and/or reinstallation of your product.
- Shipping cost, standard or expedited, for warranty/non warranty and replacement parts.

DISCLAIMER OF IMPLIED WARRANTIES; LIMITATION OF REMEDIES

Repair or replacement of defective parts is your exclusive remedy under the terms of this limited warranty. Manufacturer will not be responsible for any consequential or incidental damages arising from the breach of either this limited warranty or any applicable implied warranty, or for failure or damage resulting from acts of God, improper care and maintenance, grease fire, accident, alteration, replacement of parts by anyone other than manufacturer, misuse, transportation, commercial use, abuse, hostile environments (inclement weather, acts of nature, animal tampering), improper installation or installation not in accordance with local codes or printed manufacturer instructions.

THIS LIMITED WARRANTY IS THE SOLE EXPRESS WARRANTY GIVEN BY THE MANUFACTURER. NO PRODUCT PERFORMANCE SPECIFICATION OR DESCRIPTION WHEREVER APPEARING IS WARRANTED BY MANUFACTURER EXCEPT TO THE EXTENT SET FORTH IN THIS LIMITED WARRANTY. ANY IMPLIED WARRANTY PROTECTION ARISING UNDER THE LAWS OF ANY STATE, INCLUDING IMPLIED WARRANTY OF MERCHANTABILITY OR FITNESS FOR A PARTICULAR PURPOSE OR USE, IS HEREBY LIMITED IN DURATION TO THE DURATION OF THIS LIMITED WARRANTY.

Neither dealers nor the retail establishment selling this product has any authority to make any additional warranties or to promise remedies in addition to or inconsistent with those stated above. Manufacturer's maximum liability, in any event, shall not exceed the documented purchase price of the product paid by the original consumer. This warranty only applies to units purchased from an authorized retailer and or re-seller.

If you wish to obtain performance of any obligation under this limited warranty, you should write to:

Megagmaster Customer Service

PO Box 15, Woodlands, 0072, South Africa

All consumer returns, parts orders, general questions, and troubleshooting

15 assistance can be acquired by calling **010 001 6342** or sending an e-mail to **service@megagroup.co.za**

THANK YOU.

YOU ARE NOW A MEGAMASTER MANUAL PRO.

Get out there and enjoy making your Megamaster experience even better.

For great inspiration and a range of products to use with your Freestanding Fireplace, check out the pages on our website www.megamaster.co.za

+27 (0)12 802 1515 PO Box 15, Woodlands, 072, South Africa
www.megamaster.co.za

megamaster[™]
TOGETHER, MADE BETTER[™]