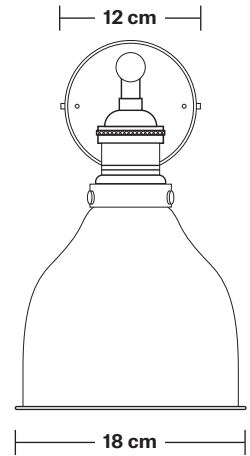
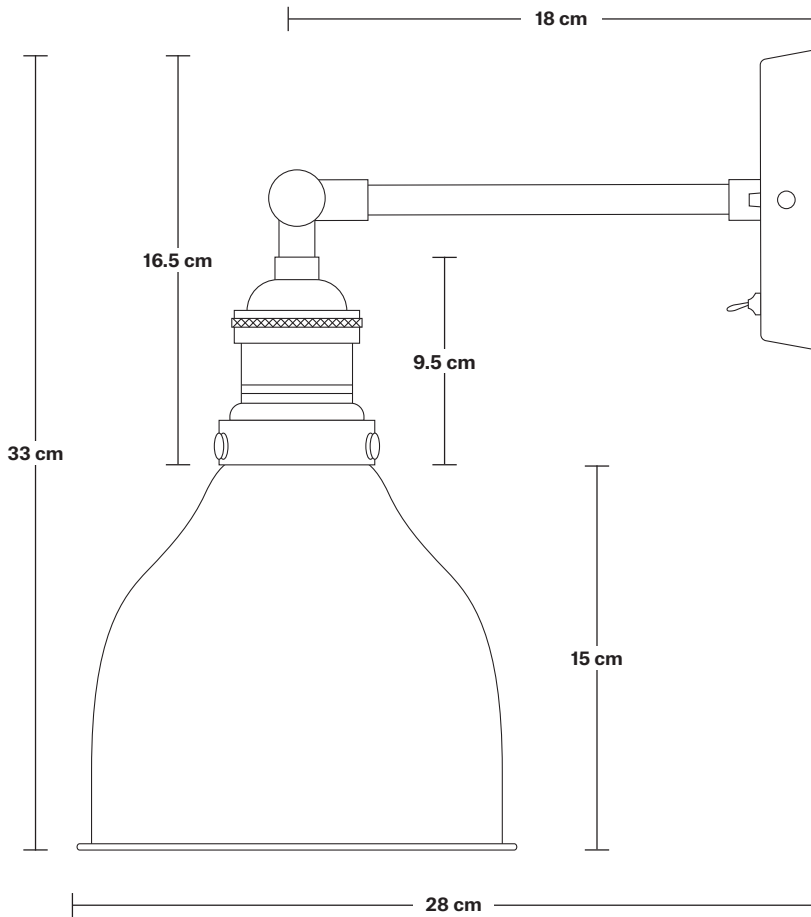


Brooklyn Cone Wall Light - 7 Inch

Product Code: BR-CWL7

H: 31.5 cm x W: 18 cm x D: 28 cm



SPECIFICATIONS

We meet all UK and EU lighting and safety regulations.

Our products are hand finished to ensure an authentic vintage look and therefore they may vary slightly from those shown in the images.

Bulb required: Standard screw (E27) fitting, max 40W.

Shade weight: 0.35 kg | **Holder weight:** 0.6 kg

Maximum weight: 0.95 kg

INFORMATION

Finishes: Brass, Pewter and Copper.

Ready to be installed, installation required.

Wall mount screws not included.

The lights can be operated by both the flick switch or the main switch.

Holders available: Brass, Pewter and Copper.

DIMENSIONS

Shade Diameter: 18 cm / 7"

Shade Height (no holder): 15 cm / 6.1"

Holder Diameter: 6 cm / 2.5"

Holder Height: 18 cm / 7.1"

Wall Rose Diameter: 12 cm / 4.9"

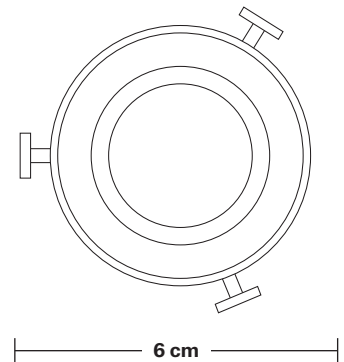
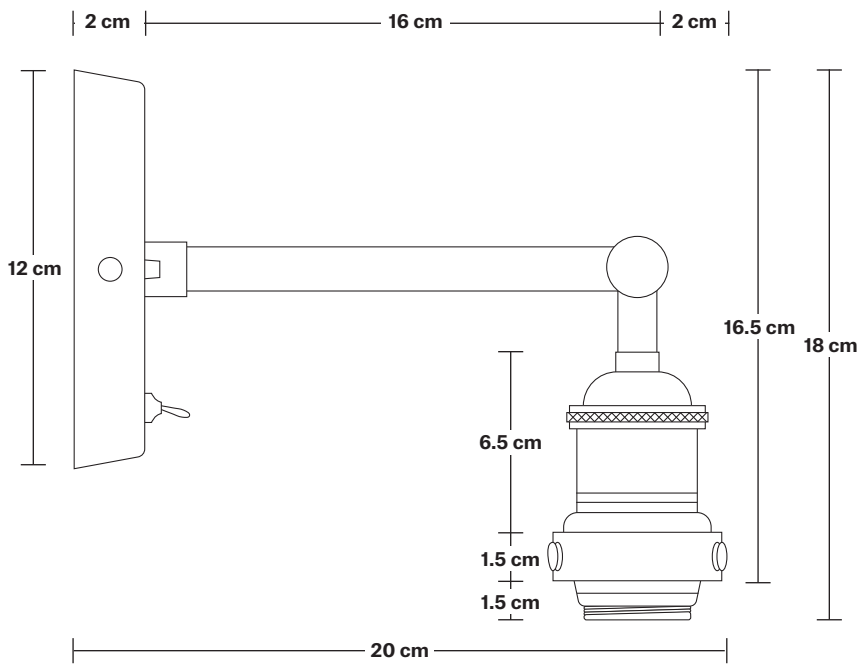
Wall Rose Height: 2 cm / 0.8"

INDUSTVILLE

Brooklyn Wall Light Holder

Product Code: BR-WL

H: 18 cm x W: 12 cm x D: 20 cm



SPECIFICATIONS

We meet all UK and EU lighting and safety regulations.

Our products are hand finished to ensure an authentic vintage look and therefore they may vary slightly from those shown in the images.

Bulb required: Standard screw (E27) fitting, max 40W.

Weight: 0.6 kg

INFORMATION

Finishes: Brass, Pewter and Copper.

Ready to be installed, installation required.

Wall mount screws not included.

Wall mount rose: Pewter.

DIMENSIONS

Holder Diameter: 6 cm / 2.5"

Holder Height: 18 cm / 7.1"

Projection: 20 cm / 7.9"

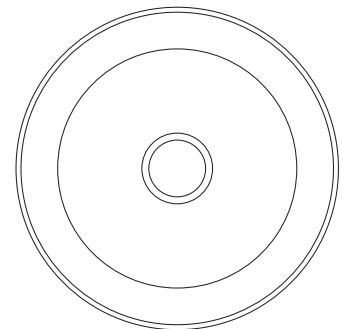
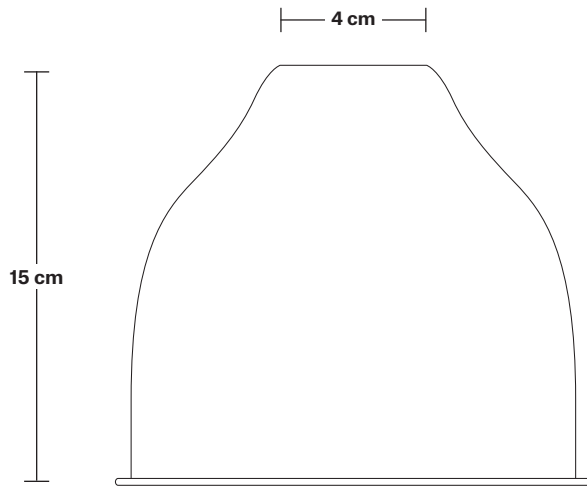
Ceiling Rose Diameter: 12 cm / 4.9"

Ceiling Rose Depth: 2 cm / 0.8"

Cone Shade - 7 Inch - Shade Only

Product Code: C7-SO

H: 15 cm x W: 18 cm x D: 18 cm



18 cm

SPECIFICATIONS

We meet all UK and EU lighting and safety regulations.

Our products are hand finished to ensure an authentic vintage look and therefore they may vary slightly from those shown in the images.

Bulb required: Standard screw (E27) fitting, max 40W.

Shade weight: 0.35 kg

INFORMATION

Finishes: Brass, Pewter and Copper.

Ready to be installed, installation required.

Wall mount screws not included.

DIMENSIONS

Shade Diameter: 18 cm / 7"

Shade Height (no holder): 15 cm / 6.1"

INDUSTVILLE

Cone - 7 Inch - Brass

Shade Only

Cone - 7 Inch - Brass - Shade Only

C7-B-SO

Brooklyn Cone Pendant - 7 Inch - Brass

Brooklyn Cone Pendant - 7 Inch - Brass - Brass Holder

BR-CP7-B-BH

Brooklyn Cone Pendant - 7 Inch - Brass - Pewter Holder

BR-CP7-B-PH

Brooklyn Cone Flush Mount - 7 Inch - Brass

Brooklyn Cone Flush Mount - 7 Inch - Brass - Brass Holder

BR-CFM7-B-BH

Brooklyn Cone Flush Mount - 7 Inch - Brass - Pewter Holder

BR-CFM7-B-PH

Brooklyn Cone Wall Light - 7 Inch - Brass

Brooklyn Cone Wall Light - 7 Inch - Brass - Brass Holder

BR-CWL7-B-BH

Brooklyn Cone Wall Light - 7 Inch - Brass - Pewter Holder

BR-CWL7-B-PH

Swan Neck Cone Wall Light - 7 Inch - Brass

Swan Neck Cone Wall Light - 7 Inch - Brass - Brass Holder

SN-CWL7-B-BH

Sleek Cone Pendant - 7 Inch - Brass

Sleek Cone Pendant - 7 Inch - Brass - Brass Holder

SL-CP7-B-BH

Sleek Cone Pendant - 7 Inch - Brass - Pewter Holder

SL-CP7-B-PH
