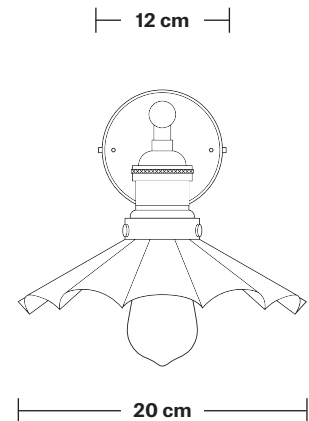
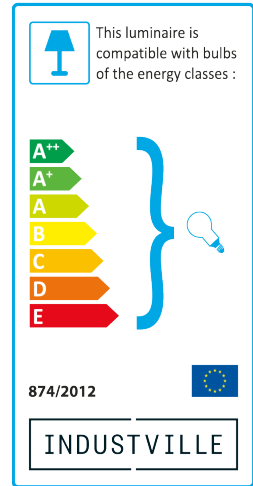
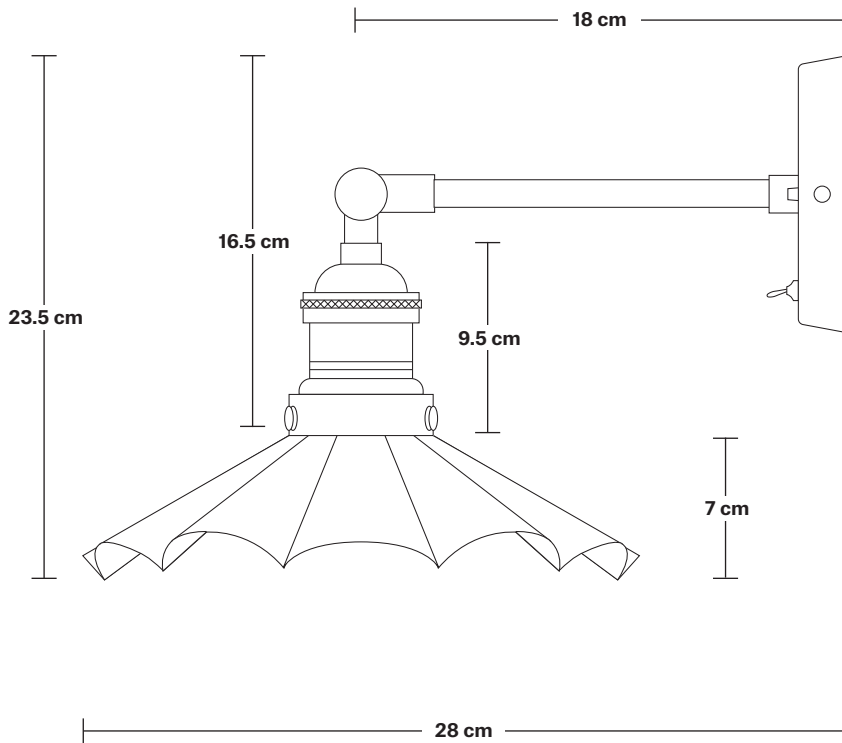


Brooklyn Umbrella Wall Light - 8 Inch

Product Code: BR-UWL8

H: 23.5 cm x W: 20 cm x D: 28 cm



SPECIFICATIONS

We meet all UK and EU lighting and safety regulations.

Our products are hand finished to ensure an authentic vintage look and therefore they may vary slightly from those shown in the images.

Bulb required: Standard screw (E27) fitting, max 40W.

Shade weight: 0.2 kg | **Holder weight:** 0.6 kg

Maximum weight: 0.8 kg

INFORMATION

Finishes: Brass, Pewter and Copper.

Ready to be installed, installation required.

Wall mount screws not included.

The lights can be operated by both the flick switch or the main switch.

Holders available: Brass, Pewter and Copper.

DIMENSIONS

Shade Diameter: 20 cm / 8"

Shade Height (no holder): 7 cm / 2.6"

Holder Diameter: 6 cm / 2.5"

Holder Height: 18 cm / 7.1"

Wall Rose Diameter: 12 cm / 4.9"

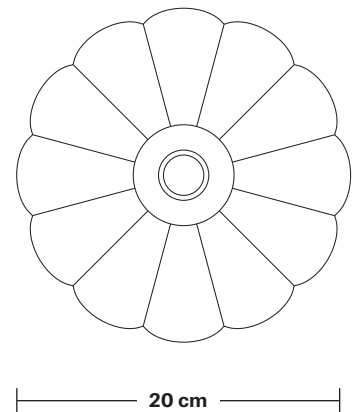
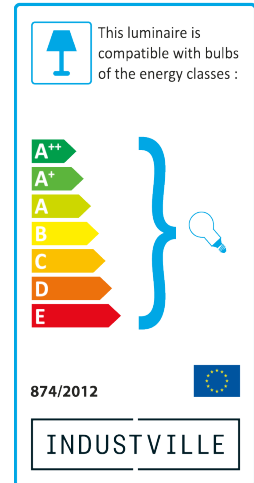
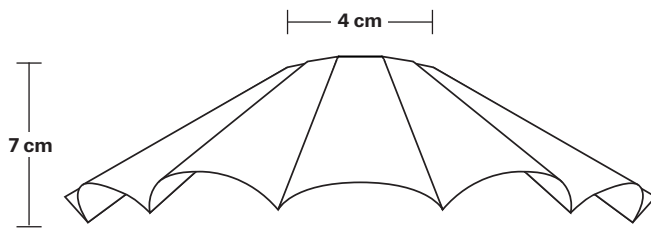
Wall Rose Height: 2 cm / 0.8"

INDUSTVILLE

Umbrella Shade - 8 Inch - Shade Only

Product Code: U8-SO

H: 16 cm x W: 20 cm x D: 20 cm



SPECIFICATIONS

We meet all UK and EU lighting and safety regulations.

Our products are hand finished to ensure an authentic vintage look and therefore they may vary slightly from those shown in the images.

Bulb required: Standard screw (E27) fitting, max 40W.

Shade weight: 0.2 kg

INFORMATION

Finishes: Brass, Pewter and Copper.

Ready to be installed, installation required.

Wall mount screws not included.

DIMENSIONS

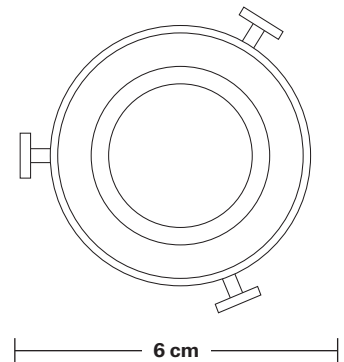
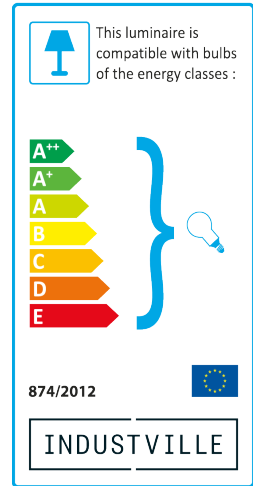
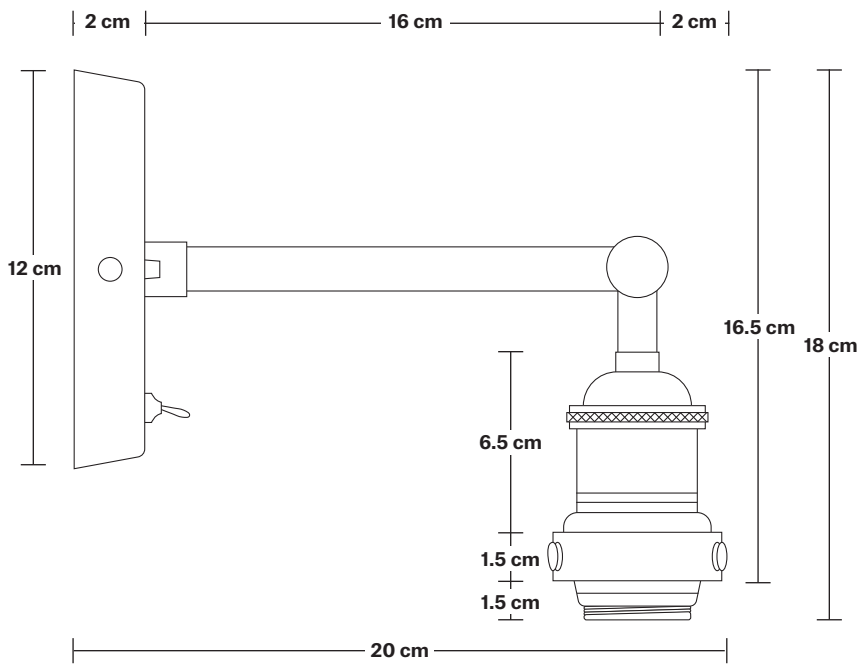
Shade Diameter: 20 cm / 8"

Shade Height (no holder): 7 cm / 2.6"

Brooklyn Wall Light Holder

Product Code: BR-WL

H: 18 cm x W: 12 cm x D: 20 cm



SPECIFICATIONS

We meet all UK and EU lighting and safety regulations.

Our products are hand finished to ensure an authentic vintage look and therefore they may vary slightly from those shown in the images.

Bulb required: Standard screw (E27) fitting, max 40W.

Weight: 0.6 kg

INFORMATION

Finishes: Brass, Pewter and Copper.

Ready to be installed, installation required.

Wall mount screws not included.

Wall mount rose: Pewter.

DIMENSIONS

Holder Diameter: 6 cm / 2.5"

Holder Height: 18 cm / 7.1"

Projection: 20 cm / 7.9"

Ceiling Rose Diameter: 12 cm / 4.9"

Ceiling Rose Depth: 2 cm / 0.8"

Umbrella - 8 Inch - Pewter

Shade Only

Umbrella - 8 Inch - Pewter - Shade Only	U8-P-SO
---	----------------

Brooklyn Umbrella Pendant - 8 Inch - Pewter

Brooklyn Umbrella Pendant - 8 Inch - Pewter - Brass Holder	BR-UP8-P-BH
--	--------------------

Brooklyn Umbrella Pendant - 8 Inch - Pewter - Pewter Holder	BR-UP8-P-PH
---	--------------------

Brooklyn Umbrella Pendant - 8 Inch - Pewter - Copper Holder	BR-UP8-P-CH
---	--------------------

Brooklyn Umbrella Flush Mount - 8 Inch - Pewter

Brooklyn Umbrella Flush Mount - 8 Inch - Pewter - Brass Holder	BR-UFM8-P-BH
--	---------------------

Brooklyn Umbrella Flush Mount - 8 Inch - Pewter - Pewter Holder	BR-UFM8-P-PH
---	---------------------

Brooklyn Umbrella Flush Mount - 8 Inch - Pewter - Copper Holder	BR-UFM8-P-CH
---	---------------------

Brooklyn Umbrella Wall Light - 8 Inch - Pewter

Brooklyn Umbrella Wall Light - 8 Inch - Pewter - Brass Holder	BR-UWL8-P-BH
---	---------------------

Brooklyn Umbrella Wall Light - 8 Inch - Pewter - Pewter Holder	BR-UWL8-P-PH
--	---------------------

Brooklyn Umbrella Wall Light - 8 Inch - Pewter - Copper Holder	BR-UWL8-P-CH
--	---------------------

Sleek Umbrella Pendant - 8 Inch - Pewter

Sleek Umbrella Pendant - 8 Inch - Pewter - Brass Holder	SL-UP8-P-BH
---	--------------------

Sleek Umbrella Pendant - 8 Inch - Pewter - Pewter Holder	SL-UP8-P-PH
--	--------------------

Sleek Umbrella Pendant - 8 Inch - Pewter - Copper Holder	SL-UP8-P-CH
--	--------------------