


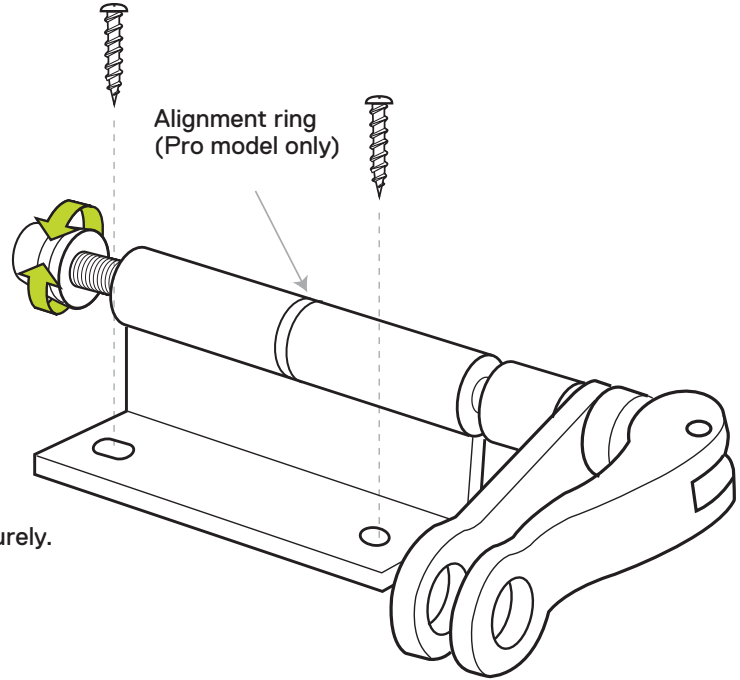
delta

Lockable Bike Hitch™

Assembly instructions

- 1 Place Bike Hitch in desired location and mark one hole for drilling.
- 2 Drill hole using 1/4" bit.

 **IMPORTANT SAFETY NOTE**
Wear eye protection when using power tools.
- 3 Insert 1/4" (6mm) diameter bolt through hole and tighten securely. (Bolts are not included - length will vary with application)
- 4 Drill second hole using Bike Hitch's base as a guide.
- 5 Insert second bolt and tighten securely.
To prevent loosening, we recommend the use of nuts with nylon inserts, thread locking fluid, or lock washers.



WARNING

The Bike Hitch is designed to hold a bicycle only and has not been designed to support a rider and should never be used with a person on the bike.