

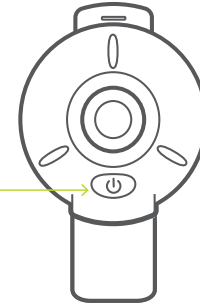
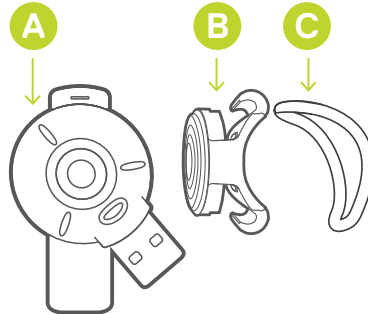
delta

Wearable Safety Beacon

Assembly instructions

Parts

- A** x1 — Beacon
- B** x1 — Mount
- C** x1 — Mount Band



Operation modes:

| ACTION | LIGHT MODE | EST. RUN TIME |
|-----------------|---------------------|---------------|
| Press once (1) | Pulsing | 10 Hours |
| Press again (2) | Constant Beam | 3.5 Hours |
| Press again (3) | Movement Detection* | 20 Hours |

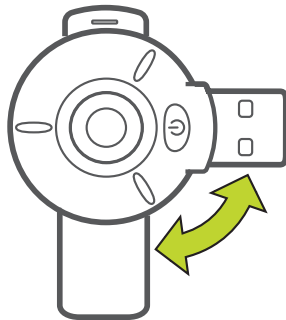
*3 quick flashes indicates movement mode activated. Light will stop flashing if no movement is detected for 7 seconds.

USB Charging

Charge periodically in any USB port or when light appears dimmer.
Charge Time: approx 50 mins
 Slow pulse while charging.
 Constant light when fully charged.

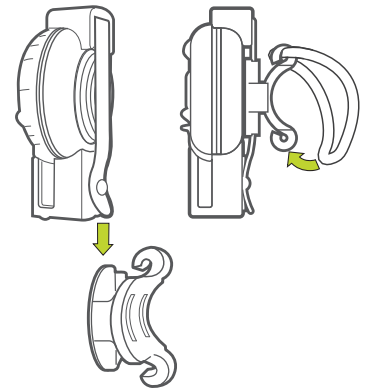


IMPORTANT NOTE
 Failure to charge after extensive use may affect battery life.



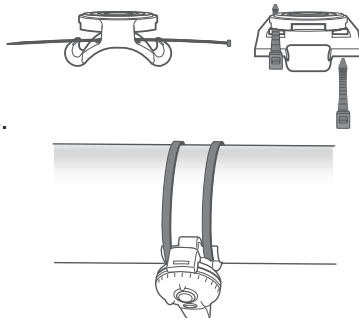
Attach to Mount

- 1** Slide beacon into mount, be sure it is lined up securely.
- 2** Attach band, wrap around bar secure other side to bottom hook.



Attachment Option

- 1** Zip Ties (not included) can be used for permanent attachment of mount and to secure to larger size bars.



IMPORTANT NOTE
 Max width of Zip Ties is 5mm, (3/16")

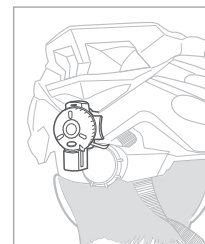
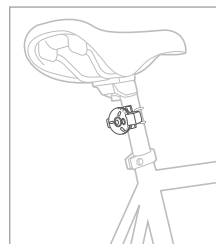
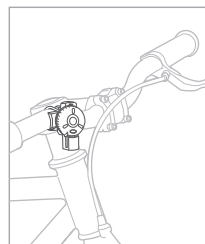
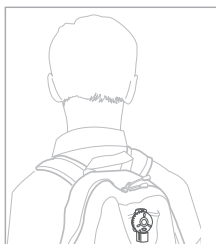


WARNING

Do not look directly into this light.
 May cause temporary blindness.

CHOKING HAZARD!
 Not to be used by children under 5 years old.

Easy Attachment Anywhere



Assembly video

Visit designbydelta.com/downloads

