

# delta

## MegaRack Ultra™

### Assembly instructions MR150A

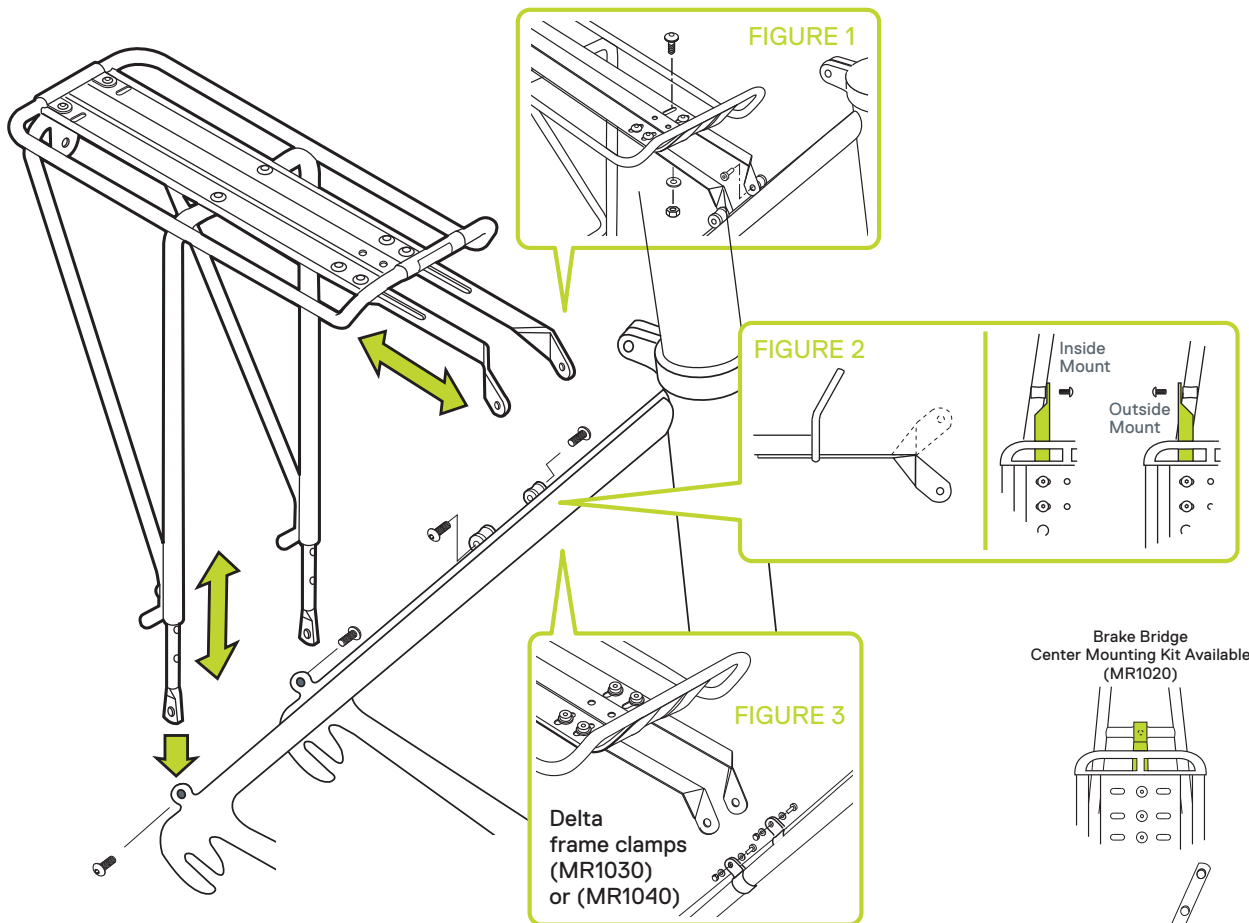
- 1 Begin by installing the extendible stay mounts on to your MegaRack using four hex-head bolts (fig.1).
- 2 Hold the MegaRack up to your bicycle's braze-on mounts to determine whether you will want to use inside or outside mounting, pointing up or down (fig.2).



#### IMPORTANT NOTE

For bicycles without brazed-on threaded eyelets, use Delta stainless steel frame clamps. These are available to fit standard 5/8" tubing (MR1030) or oversized 7/8" tubing (MR1040). (fig. 3).

- 3 Tighten the bolts just enough to hold the rack in place yet allow repositioning by hand.
- 4 Loosely attach the lower legs of the MegaRack to the threaded holes of your bicycle's rear axle dropouts. It may be necessary to spread the MegaRack to fit over the outside of the frame. Do not tighten yet.
- 5 Position the MegaRack so it's top plate is level. Extend the stay mounts until they line up with the braze-ons. It may be necessary gently bend the rack stays for some bicycles. Fasten with two hex head bolts. You should now tighten all the other bolts.



- 6 For bikes with rear disc brakes, replace the lower adjustable support arm with optional part # MR150D.



#### WARNING

This rack should never be used as a seat or to carry passengers. (max load 40 lbs, 18 kgs).

**Service:** Please do not return to store; for immediate response email [service@designbydelta.com](mailto:service@designbydelta.com)

