

# delta

## Multi Ball Holder Storage Net

### Assembly instructions HDRS4100

#### Parts

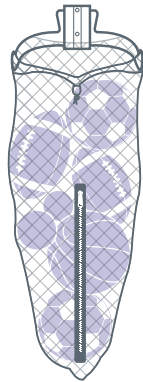
- A** x1 — Back Plate
- B** x2 — Wire Ends
- C** x1 — Front Plate
- D** x2 — Screws
- E** x1 — Net

#### Tools Required

Hand Drill 1/8" (3mm)

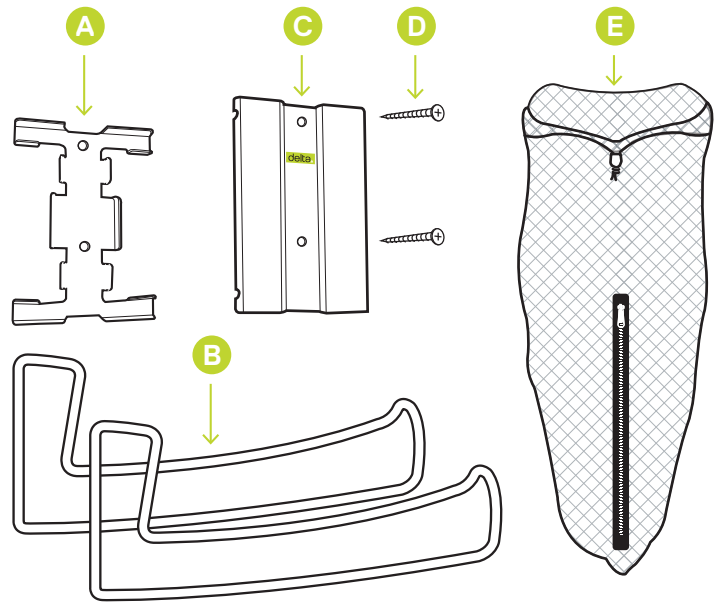


Way of locating studs within the wall (see hardware store for advice)



Assembly video

Visit [designbydelta.com/downloads](http://designbydelta.com/downloads)



- 1** Identify where wooden stud lies within wall, drill pilot holes for wood screws.



#### IMPORTANT SAFETY NOTE

Beware of drilling into electrical wire or pipes within wall!

Place front plate on the corner of a table/flat surface. Position wire ends face down into slots of front plate. Slide under small center plate. (FIGURE 1).

**NOTE:** Be sure front of wire ends are facing down.

Insert back plate on top. Be sure wire ends are covered and fit securely between back and front plates. (FIGURE 2)

#### BACK VIEW OF PLATES AND WIRE ENDS

CORNER OF TABLE SURFACE

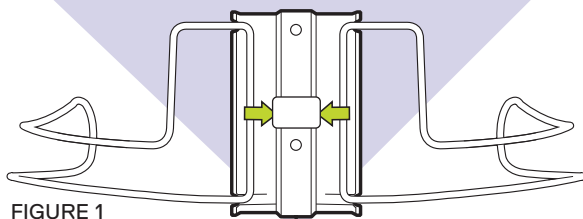


FIGURE 1

CORNER OF TABLE SURFACE

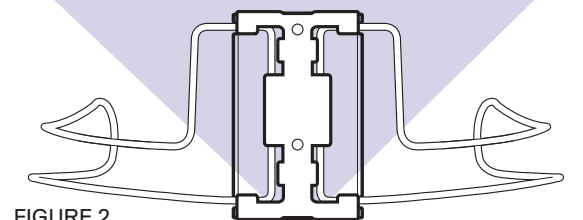
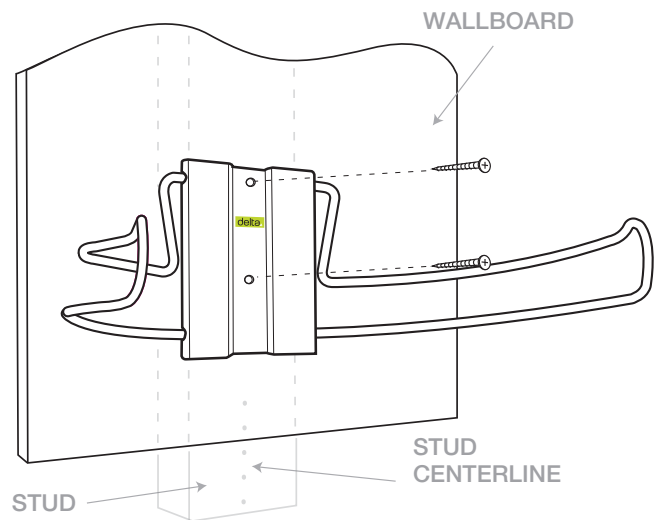
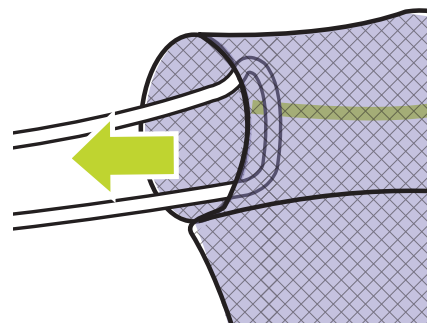


FIGURE 2

- 2** Once assembled, transport to pre-drilled wall location. Secure to wall with both screws.



- 3** After wall installation, slide net onto each arm.



#### WARNING

Do not exceed maximum total weight limit of 4.5kg/10lbs. To avoid injury, Do not overload.

**Service:** Please do not return to store; for immediate response email [service@designbydelta.com](mailto:service@designbydelta.com)

