

delta_Δ

Multi Ball Holder Storage Net

Assembly instructions UH4100

- 1 Assemble unit by inserting pressed wire ends into slots on base.
- 2 Identify where wooden stud lies within wall, drill pilot holes for wood screws.



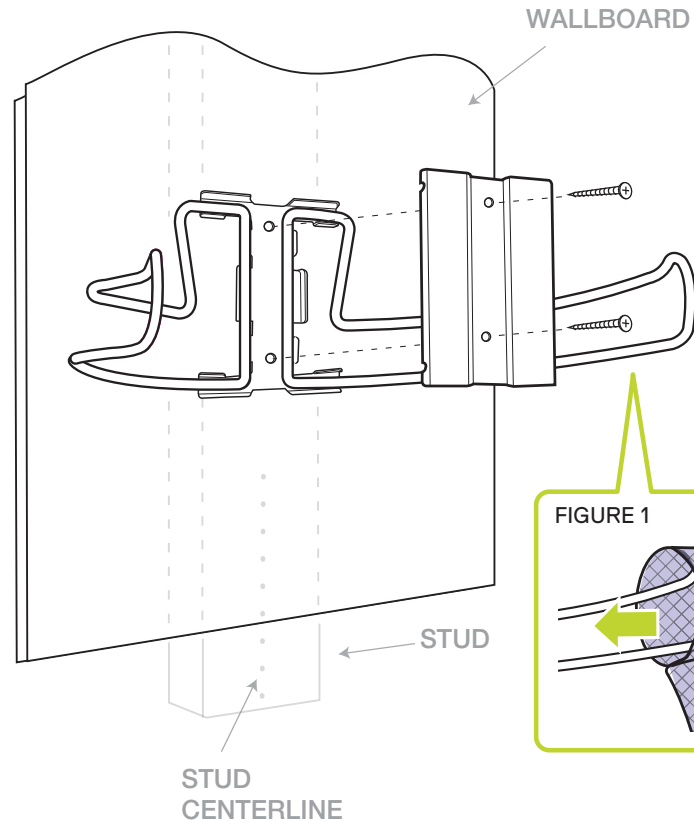
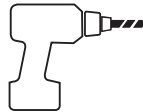
IMPORTANT SAFETY NOTE

Make sure the plate is level when mounting.

- 3 Place top panel over back plate and secure to wall by tightening both screws.
- 4 Attach net on to wire holder (FIGURE 1)

Tools Required

Hand Drill 1/8"(3mm)



WARNING

Do not exceed maximum total weight limit of 4.5kg/10lbs.
To avoid injury, Do not overload.