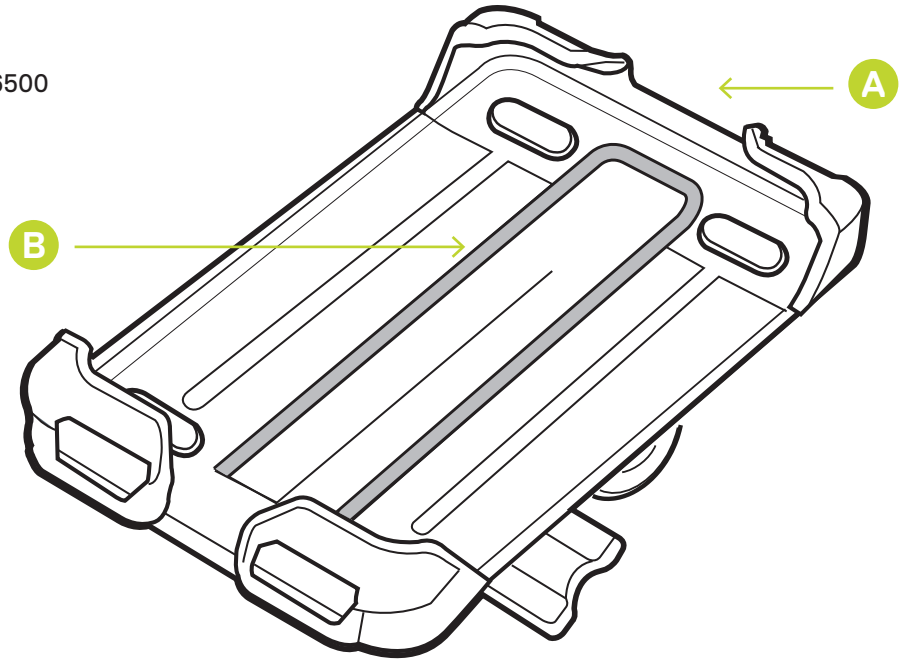
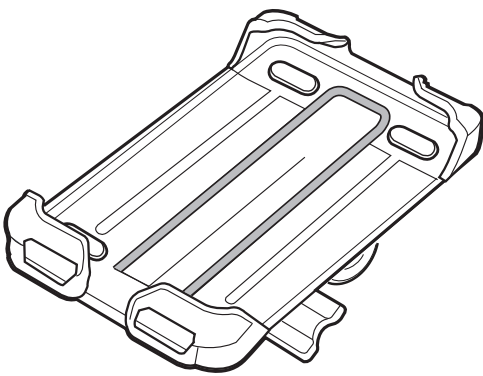




Smartphone Holder

Assembly instructions HL6002/HL6500



Parts

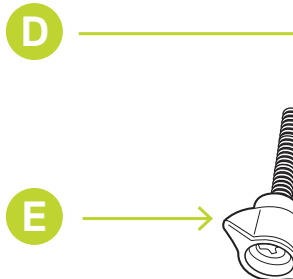
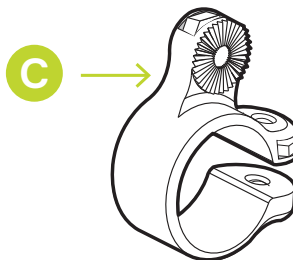
- A** x1 — Phone Holder
- B** x1 — Bungee
- C** x1 — Handlebar Clamp Bolt
- D** x2 — Rubber Shim
- E** x1 — Thumb Screw
- F** x1 — Stem Mount
- G** x1 — Short Bolt
- H** x6 — Foam Inserts

Tool Required

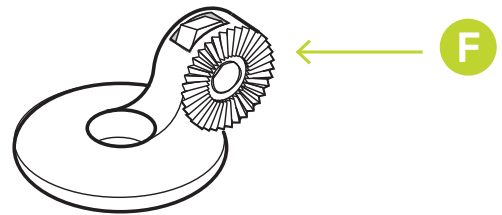
Phillips Head Screwdriver



HANDLEBAR CLIP OPTION



STEM MOUNT OPTION



WARNING

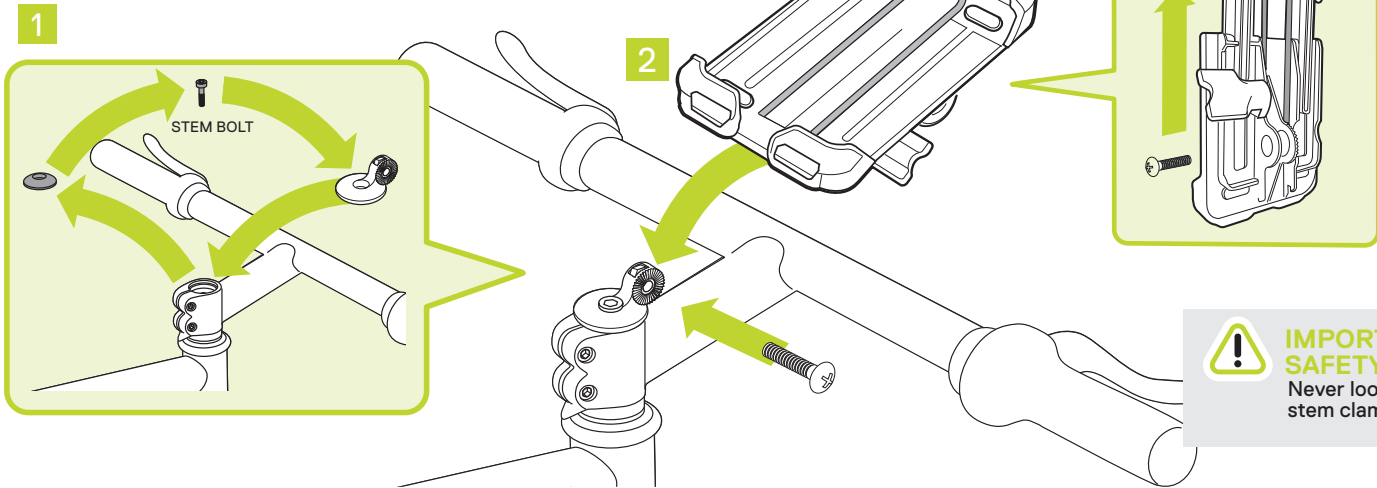
Using phone device while riding can cause accidents resulting in serious injury.

Important: Nuts and bolts can loosen over time, resulting in serious danger should the item fall off while in motion. Check frequently to ensure all bolts are properly tightened. Ensure the device fits snugly in the holder before riding. Not for off-road use.

Using the Stem Mount

1 Remove existing stem cap from bicycle. Use existing stem bolt to install Smartphone Holder stem mount on to your bicycle stem. Open slightly in order to allow easy access to insert the bolt. Insert the bolt on the same side as the locking mechanism. (FIGURE 1)

2 Connect phone holder to stem mount using short bolt and adjust angle before full tightening. If necessary use the adhesive foam inserts to provide a snug fit for your device. (FIGURE 2)



Using the Handlebar Clamp

1 Connect phone holder to handlebar clamp using short bolt and adjust angle before full tightening. Open slightly in order to allow easy access to insert the bolt. Insert the bolt on the same side as the locking mechanism. (FIGURE 1)

2 Connect handlebar clamp to bar using rubber shims as needed. Use thumb screw; tighten to secure the handlebar clamp. If necessary use the adhesive foam inserts to provide a snug fit for your device. (FIGURE 2)

